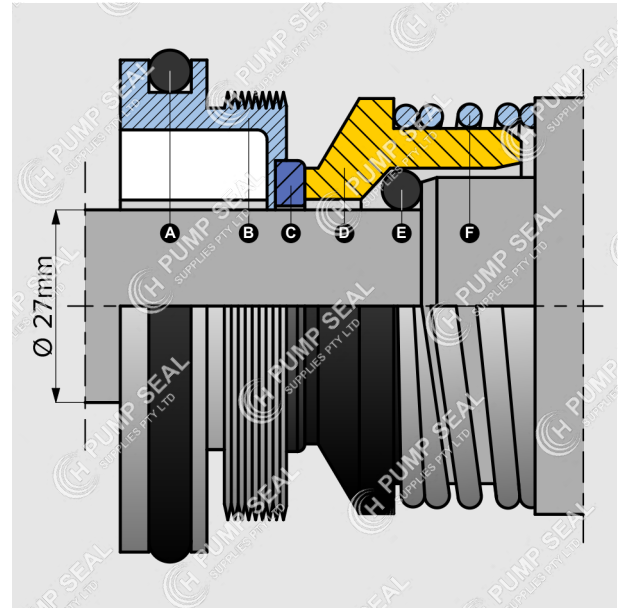


MR185-200

'H/ALF/190206'

SPECIFICATION SHEET



- ▶ **Shaft seal replacement**
- ▶ **Screw-fit stationary**
- ▶ **O-ring mounted**

Replaces the single shaft seal in Alfa Laval's MR185, MR200 liquid ring pumps. Stationary is screw-fitted

▶ **Material options**

Rotary Face: CAB solid
 Stationary Face: S.S solid
 Elastomer: EPDM, N or FPM
 Metal Parts: Stainless Steel

PARTS

- A O-ring
 B Screw-in Stat. Housing
 C Insert if required
 D Rotary
 E O-ring
 F Spring

EQUIVALENT

Type 92
 P07U-0270

PUMP COMPATIBILITY & SHAFT SIZE

Replaces the single seal in MR pumps:

Self-priming (outphased):
 MR185A, MR200A

Sanitary Version:
 MR-185S, MR-200S