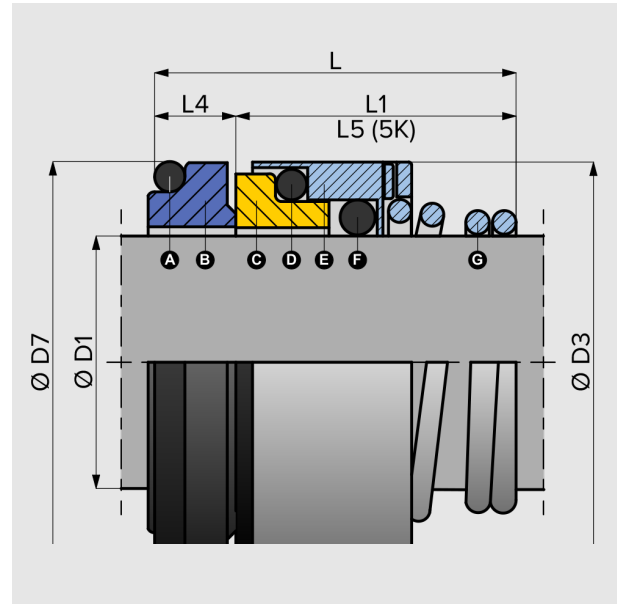


HU5

'TYPE 5 / UNITEN - DIN' SPECIFICATION SHEET



- ▶ **Conical-spring drive**
- ▶ **To DIN dimensions**
- ▶ **Dependent on direction of rotation**

HU5 is a conical spring seal but is made to DIN dimensions.

The standard HU5 is designed to be set against a spacer (L1) which combined, achieves the DIN L1K working length. Where no spacer is present, a longer spring is available (L5)

- ▶ **Operating conditions**
 Temperature: -30°C to +200°C
 Pressure: up to 10 bar, 150 psi
 Speed: up to 15m/s, 3000 fpm

- ▶ **Material options**
 Rotary Face: SiC or TC
 Stationary: CAB or SiC
 Elastomer: N, V or EP
 Metal Parts: Machined S.S

- ▶ **Equivalent**
 Standard: Uniten 5
 Long Spring: Uniten 5K

PARTS

- A** O-ring
- B** Seat (C.C. shown)
- C** Rotary Face Insert
- D** O-ring
- E** Metal Drive Collar
- F** O-ring
- G** Conical Spring

STANDARD SEAT

- C.C.: Short tail, no slot
- C.L.: Long tail + slot

DIMENSIONS

D1	D3	D7	L4	L1	L	L5 (5K)
10mm	19.0	21.0	7.0	15.0	40.0	25.5
12mm	21.0	23.0	7.0	18.0	40.0	25.5
14mm	23.0	25.0	7.0	22.0	40.0	28.0
16mm	26.0	27.0	7.0	23.0	40.0	28.0
18mm	29.0	33.0	10.0	24.0	45.0	27.5
20mm	31.0	35.0	10.0	25.0	45.0	27.5
22mm	33.0	37.0	10.0	25.0	45.0	27.5
24mm	37.0	39.0	10.0	27.0	50.0	30.0
25mm	36.0	40.0	10.0	27.0	50.0	30.0
28mm	40.0	43.0	10.0	29.0	50.0	32.5
30mm	46.0	45.0	10.0	30.0	50.0	32.5
32mm	46.0	48.0	10.0	30.0	55.0	32.5
33mm	46.0	48.0	10.0	39.0	55.0	32.5
35mm	46.0	50.0	10.0	39.0	55.0	32.5
38mm	53.0	56.0	13.0	42.0	55.0	32.0
40mm	56.0	56.0	13.0	42.0	55.0	32.0
43mm	56.0	61.0	13.0	47.0	60.0	32.0
45mm	61.0	63.0	13.0	47.0	60.0	32.0
48mm	64.0	66.0	13.0	47.0	60.0	32.0
50mm	66.0	70.0	14.0	46.0	60.0	33.5
53mm	69.0	73.0	14.0	56.0	70.0	33.5
55mm	71.0	75.0	14.0	56.0	70.0	33.5
58mm	76.0	78.0	14.0	56.0	70.0	38.5
60mm	78.0	80.0	14.0	56.0	70.0	38.5
63mm	81.0	83.0	14.0	56.0	70.0	38.5
65mm	84.0	85.0	14.0	66.0	80.0	36.5
68mm	87.0	90.0	16.0	64.0	80.0	44.0
70mm	89.7	92.0	16.0	64.0	80.0	44.0
75mm	98.0	97.0	16.0	64.0	80.0	42.0
80mm	100.0	105.0	18.0	72.0	90.0	42.0
85mm	107.5	110.0	18.0	72.0	90.0	47.0
90mm	111.0	115.0	18.0	72.0	90.0	47.0
95mm	119.0	120.0	18.0	72.0	90.0	47.0
100mm	124.0	125.0	18.0	72.0	90.0	47.0