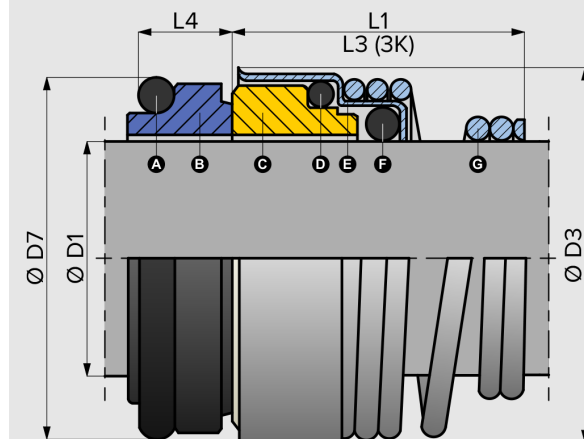


# HU3

## 'TYPE 3 / UNITEN / SIMPLEX - DIN' SPECIFICATION SHEET



- ▶ **Conical-spring drive**
- ▶ **To DIN dimensions**
- ▶ **Dependent on direction of rotation**

HU3 is a conical spring seal but made to DIN dimensions.

The standard rotary is designed to be set against a spacer (L1) which combined, achieves the DIN L1K working length. Where no spacer is present, a longer spring is available (L3).

- ▶ **Operating conditions**  
 Temperature: -30°C to +200°C  
 Pressure: up to 10 bar, 145 psi  
 Speed: up to 10m/s, 2000 fpm

- ▶ **Material options**  
 Rotary Face: CER or SiC  
 Stationary: CAB or SiC  
 Elastomer: N, V or EP  
 Metal Parts: Pressed S.S

- ▶ **Equivalent**  
 Standard: Uniten 3  
 Long Spring: Uniten 3K

### PARTS

- A** O-ring
- B** Seat (C.C. shown)
- C** Rotary Face Insert
- D** O-ring
- E** Metal Drive Collar
- F** O-ring
- G** Conical Spring

### STANDARD SEAT

- C.C.: Short tail, no slot
- C.L.: Long tail + slot

### EQUIVALENT

Simplex DIN  
T04D  
BT-FN.NU

### DIMENSIONS

D1	D3	D7	L4	L1	L3 (3K)
10mm	20.0	21.0	7.0	15.0	15.0
12mm	22.0	23.0	7.0	18.0	18.0
14mm	25.0	25.0	7.0	22.0	22.0
16mm	29.0	27.0	7.0	23.0	23.0
18mm	33.0	33.0	10.0	24.0	27.5
20mm	33.0	35.0	10.0	25.0	27.5
22mm	38.0	37.0	10.0	25.0	27.5
24mm	38.0	39.0	10.0	27.0	30.0
25mm	40.0	40.0	10.0	27.0	30.0
28mm	46.0	43.0	10.0	29.0	32.5
30mm	46.0	45.0	10.0	30.0	32.5
32mm	46.0	48.0	10.0	30.0	32.5
33mm	48.0	48.0	10.0	39.0	32.5
35mm	50.0	50.0	10.0	39.0	32.5
38mm	56.0	56.0	13.0	42.0	32.0
40mm	58.0	58.0	13.0	42.0	32.0
43mm	59.0	61.0	13.0	47.0	32.0
45mm	61.0	63.0	13.0	47.0	32.0
48mm	66.0	66.0	13.0	47.0	32.0
50mm	67.0	70.0	14.0	46.0	33.5