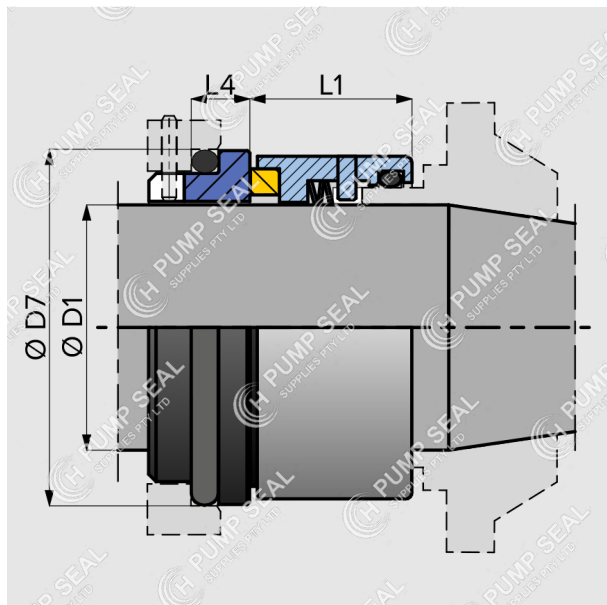


HTP

'HILGE - TP/TPS ENCAPSULATED SPRING SEALS' SPECIFICATION SHEET



- ▶ Suits GEA Hilge TP / TPS
- ▶ Suits GEA Tuchenhagen
- ▶ VARIFLOW - TP / TPS
- ▶ Single, flush & double seals
- ▶ Encapsulated wave-springs
- ▶ Bidirectional

HTP is designed to replace the single, flush & double mechanical seals found in GEA Hilge TP / TPS pumps, formerly GEA Tuchenhagen TP / TPS.

The seals feature protected, encapsulated wave-springs and is optimally placed inside the pump.

▶ Material options

Rotary Face:	CAB or SiC
Stationary:	SiC
Elastomer:	N, V or EP
Metal Parts:	S.S

EQUIVALENT

Type 1691	
M010S4 (Type B)	
244-000531	
244-000045	
244-000043	
244-000532	
90-0000587	
244-000044	
244-000042	
244-000533	
90-0000593	
244-000345	
244-000382	
90-0000594	
244-000381	
244-000383	
244-000135	
90-0000589	
244-000136	
90-0000592	
244-000378	
90-0000597	
244-000379	
90-0000599	

DIMENSIONS

Replaces the GEA Hilge TP & TPS pumps:
Replaces the GEA Tuchenhagen TP & TPS pumps:

TP 1020
TP 1540
TP 2030
TP 2050
TP 3050
TP 2575
TP 5060
TP 7060
TP 8050
TP 8080
TP 16040
TPS 2030
TPS 3050
TPS 8050
TPS 8080