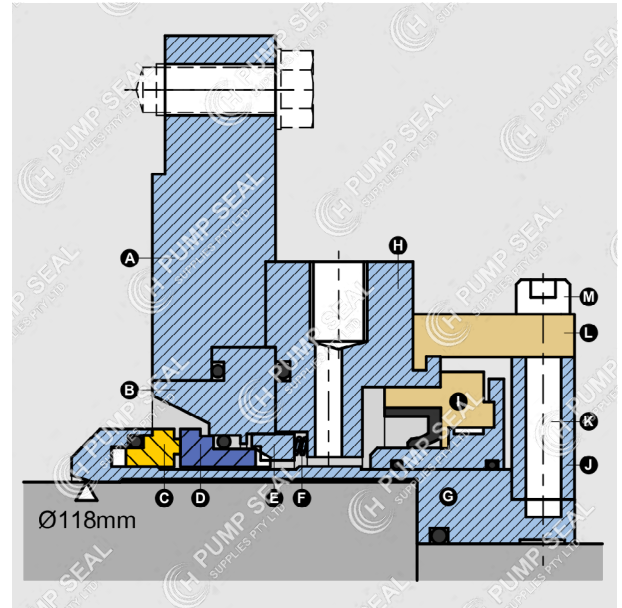


HSKC-118MM

'SKYES - 118MM CARTRIDGE SEAL' SPECIFICATION SHEET



- ▶ Suits Sykes pumps
- ▶ 118mm seal
- ▶ Replaces OEM: 720618
- ▶ Double flushed cartridge seal
- ▶ Tandem Inpro seal design

HSKC - 118mm is designed to replace the double mechanical cartridge seal assembly in Sykes pumps. The seal utilises a double flushed multi-spring balanced seal face design as per original, and allows for a contained lubricating fluid reservoir.

Optional wear face replacement kit available on request.

▶ Material Options

Rotary Face:	SiC or TC
Stationary Face:	SiC or TC
Elastomers:	N / V / EP
Metal Parts:	Stainless Steel

▶ Optional - Wear face kit

Wear face replacement kit available on request.

PARTS

- A Upper Gland Plate
- B Lower Gland Plate
- C Rotary Face
- D Stationary Face
- E Spring Holder
- F Multi-spring
- G Shaft Sleeve
- H Flush Housing
- I Inpro Seal
- J Locking Collar
- K Set Screws
- L Setting Clip
- M Cap Head Screw

EQUIVALENT

- 720618
- SSI-1180-VS2S8/RS

PUMP COMPATIBILITY

Replaces the double cartridge mechanical seal in:

Sykes XTRA High Head (XH) Range:

- XH100
- XH150
- XH200