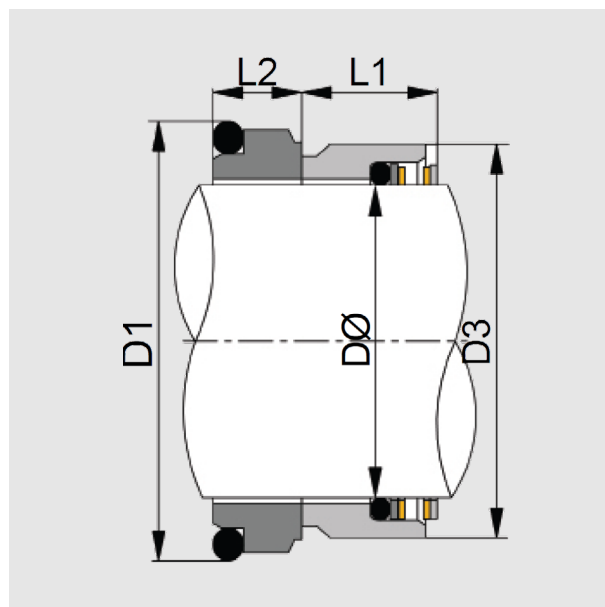


HS3WS

'ABS WAVE-SPRING SEAL' SPECIFICATION SHEET



- ▶ Suits ABS submersible pumps
- ▶ Wave-spring pusher
- ▶ Equivalent Type 1632

Suits the upper-position seal
ABS submersible pumps.

EQUIVALENT

Type 1632

DIMENSIONS

SIZE	OEM	D7	L4	L1
20mm	11100066	52.0	6.0	13.5
48mm	11100058	67.0	14.5	15.8
65mm	11100059	86.0	15.3	17.8
80mm	11100053	104.0	16.3	19.5
90mm	11100055	114.0	16.3	19.5
100mm	11100052	123.0	17.1	21.0