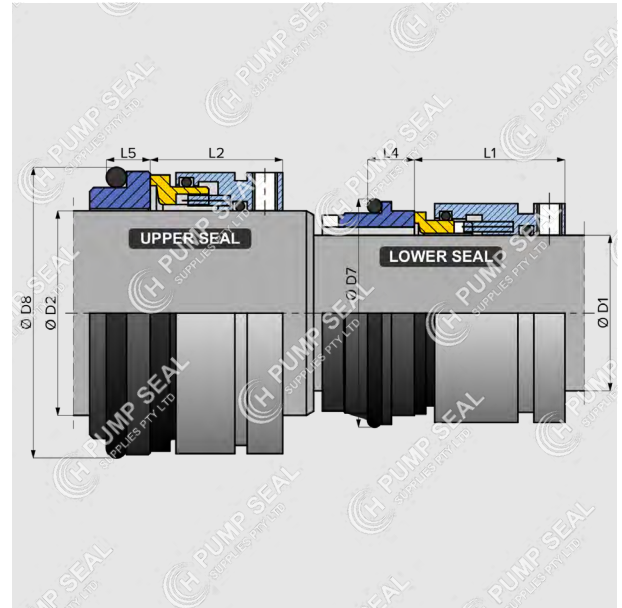


HGSL

'GRUNDFOS - S-RANGE, SARLIN' SPECIFICATION SHEET



- ▶ **Double Mech. Seal - Tandem**
- ▶ **Suits S, Sarlin Pumps >15kW**

Lower & Upper mechanical seal in tandem arrangement.

INCLUDED PARTS

Primary Seal
Secondary Seal

EQUIVALENT

Vulcan: Type 40S & 42

PUMP COMPATIBILITY

Replaces the (pos. 105) shaft seal in:

S-pumps - Ranges 50, 54, 58

S-pumps - Range 62

S-pumps - Range 66

S-pumps - Range 70

S-pumps - Ranges 72, 74, 78