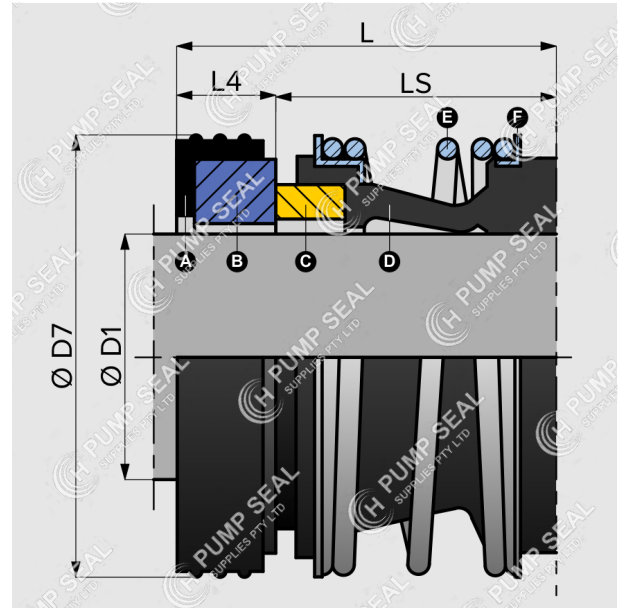


# HGS/K

## 'KSB BELLOWS SEALS' SPECIFICATION SHEET



- ▶ Suits KSB pumps
- ▶ Special rotary lengths
- ▶ Special stationaries

HGS/H is a range of rubber bellows seals with KSB-specific dimensions to suit submersible and "Eta" pumps

#### ▶ Operating conditions

Temperature: -20°C to +200°C  
 Pressure: up to 12 bar, 175 psi  
 Speed: up to 10m/s, 2000 fpm

#### ▶ Material Options

Rotary Face: CAB or SiC  
 Stationary Face: SiC  
 Elastomer: V or EP  
 Metal Parts: Stainless Steel

#### PARTS

- A Seat Cup
- B Seat Face
- C Rotary Face
- D Rubber Bellows
- E Spring
- F L-ring / Collar

#### EQUIVALENT

B02K  
 B09KU  
 MG1S6 / G61  
 NU028  
 KZN  
 192K  
 MG1G61S6

#### DIMENSIONS

D1	ROT	LS	D7	L4	L
22mm	HG1S3	25.5	37.0	12.1	37.6
	HGS	26.5	37.0	11.1	37.6
25mm	HG1S6	24.0	50.0	5.0	29.0
28mm	HG1S6	36.5	43.0	14.4	50.9