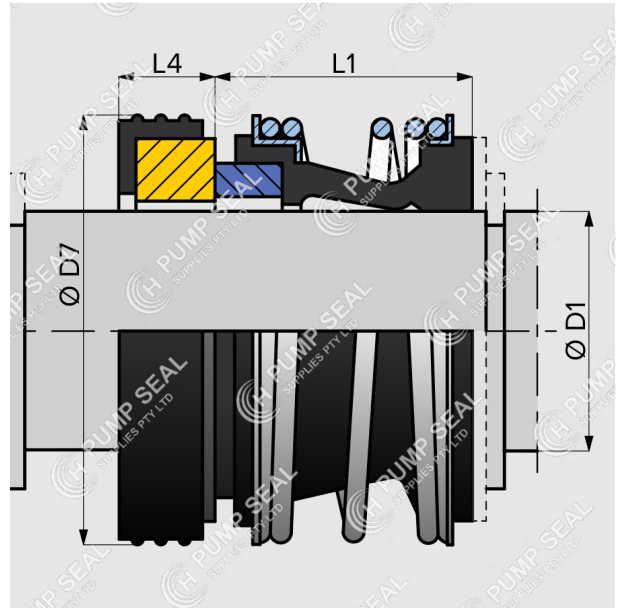


HGS/H

'HIDROSTAL - TYPE G - SEALS' SPECIFICATION SHEET



- ▶ Suits Hidrostal pumps
- ▶ Replaces Type "G" seals
- ▶ External-spring, bellows seal

HGS/H replaces the Type "G" seal codes in Hidrostal pumps. Typically in tandem arrangements, it is used in both inner / motor-side as well as outer / product-side positions.

EQUIVALENT

Type 194

DIMENSIONS

D1	OEM	D7	L4	L1	L
0.625"	G016	SXH	30.14	10.0	22.5 32.5
20mm	G020	1.500"	38.10	10.3	29.7 40.0
20mm	G020K	G60	35.0	7.5	21.5 29.0
1.125"	G1.1	1.750"	44.45	11.0	27.0 38.0
1.500"	G1.5	2.125"	53.98	11.0	28.5 39.5
2.000"	G2.0	2.750"	69.85	12.7	38.0 50.7
2.500"	G2.5	3.375"	85.73	14.3	46.0 60.3
3.000"	G3.0	3.875"	98.43	16.0	52.5 68.5
95mm	G095	4.875"	123.83	19.8	51.0 70.8
100mm	G100	4.875"	123.83	19.8	51.0 70.8