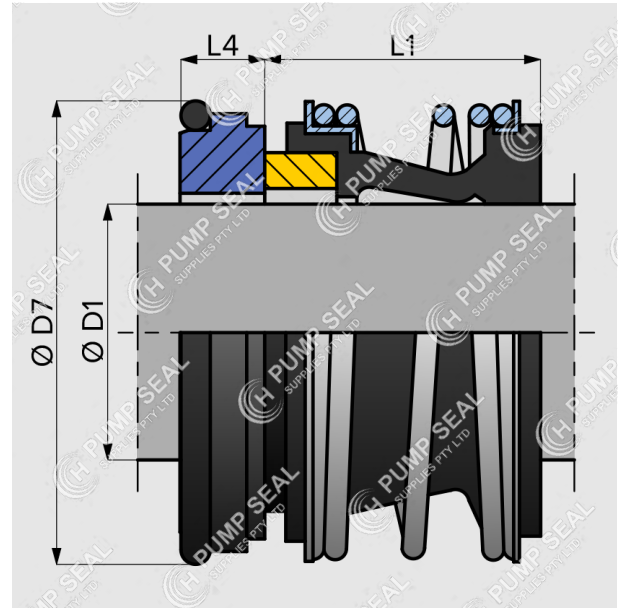


HGS/AO

'ABS BELLOWS SEALS - O-RING SEAT' SPECIFICATION SHEET



- ▶ Suits ABS submersible pumps
- ▶ O-ring mounted "bezel" seat
- ▶ Suits lower seal in "AFP" range
- ▶ Equivalent Type 195 - Style B

Suits the lower seal position, typically SiC/SiC materials, in ABS submersible pumps.

EQUIVALENT

Type 195 - Style B

DIMENSIONS

SIZE	OEM	D7	L4	L1	W.L.
40mm	11110055	58.0	11.0	33.5	44.5
48mm	11110003	67.0	10.0	30.5	40.5
65mm	11110050	86.0	12.0	39.0	51.0
90mm	11110052	114.0	13.3	45.0	58.3
100mm	11110053	123.3	13.3	46.0	59.3