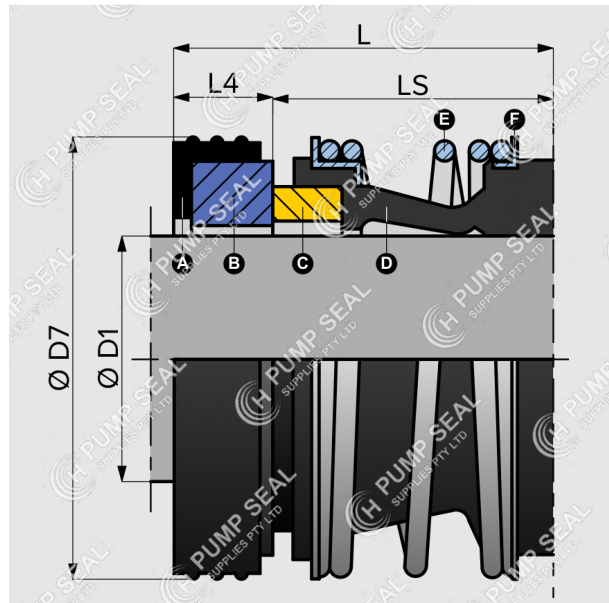


# HGS

## 'PUMP-SPECIFIC BELLOWS SEAL' SPECIFICATION SHEET



► **Special rotary lengths**

► **Pump-specific**

HGS is a range of rubber bellows seals with non-standard dimensions specific to individual pumps.

► **Operating conditions**

Temperature: -20°C to +200°C  
 Pressure: up to 12 bar, 175 psi  
 Speed: up to 10m/s, 2000 fpm

► **Material Options**

Rotary Face: CAB or SiC  
 Stationary Face: SiC  
 Elastomer: V or EP  
 Metal Parts: Stainless Steel

**PARTS**

- A** Seat Cup
- B** Seat Face
- C** Rotary Face
- D** Rubber Bellows
- E** Spring
- F** L-ring / Collar

**DIMENSIONS**

D1	ROT.	LS	D7	L4	L
14mm	HG1S2	16.0	26.0	5.0	21.0
0.625"	HGS	22.5	30.14	10.0	32.5
19mm	HG1S20	25.0	34.15	10.3	35.3
20mm	HG1S20	25.0	30.9	8.0	33.0
22mm	HG1S3	25.5	37.0	12.1	37.6
	HGS	26.5	37.0	11.1	37.6
25mm	HG1S15	22.5	40.5	8.5	31.0
			50.0	5.0	27.5
			40.0	6.0	28.5
28mm	HG1S6	24.0	50.0	5.0	29.0
			43.0	14.4	50.9
1.125"	HGS	27.0	43.0	7.5	38.0
			44.45	11.0	38.0
30mm	HG1S15	24.0	50.8	9.5	33.5
33mm	HG1S3	29.5	48.0	7.5	37.0
1.500"	HGS	28.5	53.98	11.0	39.5
40mm	HG1S4	33.5	58.0	11.0	44.5
			58.0	11.0	44.5
2.000"	HGS	38.0	69.85	12.7	50.7
2.500"	HGS	46.0	85.73	14.3	60.3
65mm	HG1S15	39.0	86.0	12.0	51.0
3.000"	HGS	52.5	98.43	16.0	68.5
100mm	HG1S15	46.0	123.3	13.3	59.3
			123.3	13.3	59.3