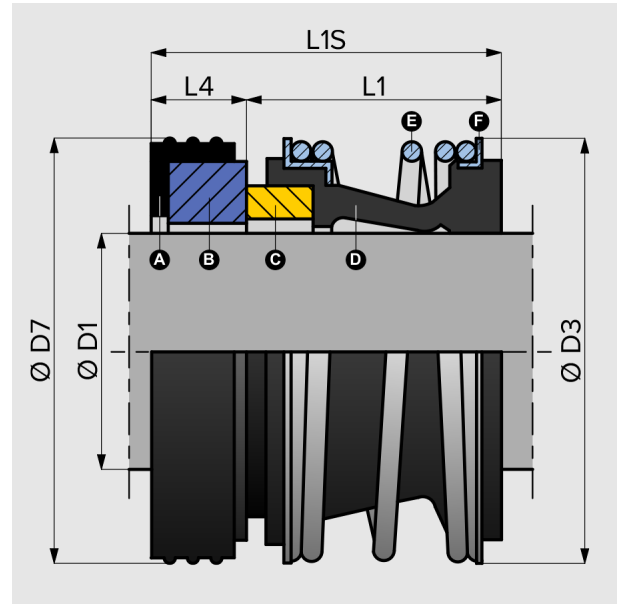
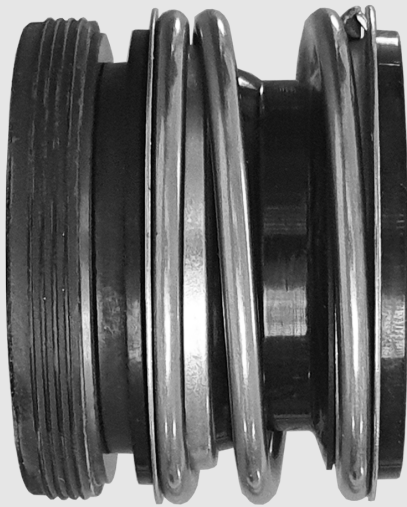


HG1

'MG1' SPECIFICATION SHEET



- ▶ Rubber bellows drive
- ▶ Shaft protection
- ▶ Independent of direction of rotation
- ▶ DIN 24960 L1S compliant

HG1 is a rubber bellows mechanical seal which is friction-driven by an elastomer bellows. It provides protection to the shaft over the entire seal length, and is insensitive to shaft deflections due to large axial movement ability. Recommended for duties containing media with solids etc.

▶ **Operating conditions**

Temperature: -20°C to +200°C
 Pressure: up to 12 bar, 175 psi
 Speed: up to 10m/s, 2000 fpm

▶ **Material Options**

Rotary Face: CAB or SiC
 Stationary Face: SiC
 Elastomer: N, V or EP
 Metal Parts: Stainless Steel

PARTS

- A Seat Cup
- B Seat (G60 Standard)
- C Rotary Face
- D Rubber Bellows
- E Spring
- F L-ring / Collar

EQUIVALENT

- MG1
- B02
- B05
- B09xU
- 19

STANDARD SEAT

- G60 US Cup Seat
- G6 US O-ring Seat

ALTERNATIVE SEAT

- G9 Tail + slot
- G4 Tail + no slot

DIMENSIONS

- D1: Shaft Size
- D3: Rotary OD
- D7: Seat Cavity / Bore
- L4: Seat Thickness
- L1: DIN length short
- L1S: L1 + L4 (DIN short)

D1	D3	D7	L4	L1	L1S
10mm	24.0	21.0	6.6	15.0	21.6
12mm	24.0	23.0	6.6	15.0	21.6
14mm	28.5	25.0	6.6	17.0	23.6
15mm	28.5	-	-	17.0	17.0
16mm	28.5	27.0	6.6	17.0	23.6
18mm	32.0	33.0	7.5	19.5	27.0
20mm	37.0	35.0	7.5	21.5	29.0
22mm	37.0	37.0	7.5	21.5	29.0
24mm	42.5	39.0	7.5	22.5	30.0
25mm	42.5	40.0	7.5	23.0	30.5
28mm	49.0	43.0	7.5	26.5	34.0
30mm	49.0	45.0	7.5	26.5	34.0
32mm	53.5	48.0	7.5	27.5	35.0
33mm	53.5	48.0	7.5	27.5	35.0
35mm	57.0	50.0	7.5	28.5	36.0
38mm	59.0	56.0	9.0	30.0	39.0
40mm	62.0	58.0	9.0	30.0	39.0
43mm	65.5	61.0	9.0	30.0	39.0
45mm	68.0	63.0	9.0	30.0	39.0
48mm	70.5	66.0	9.0	30.5	39.5
50mm	74.0	70.0	9.5	30.5	40.0
53mm	78.5	73.0	11.0	33.0	44.0
55mm	81.0	75.0	11.0	35.0	46.0
58mm	85.5	78.0	11.0	37.0	48.0
60mm	88.5	80.0	11.0	38.0	49.0
63mm	85.8	83.0	11.0	40.0	51.0
65mm	93.5	85.0	11.0	40.0	51.0
68mm	96.5	90.0	11.3	40.0	51.3
70mm	99.5	92.0	11.3	40.0	51.3
75mm	107.0	97.0	11.3	40.0	51.3
80mm	112.0	105.0	12.0	40.0	52.0
85mm	120.0	110.0	14.0	41.0	55.0
90mm	127.0	115.0	14.0	45.0	59.0
95mm	132.0	120.0	14.0	46.0	60.0
100mm	137.0	125.0	14.0	47.0	61.0