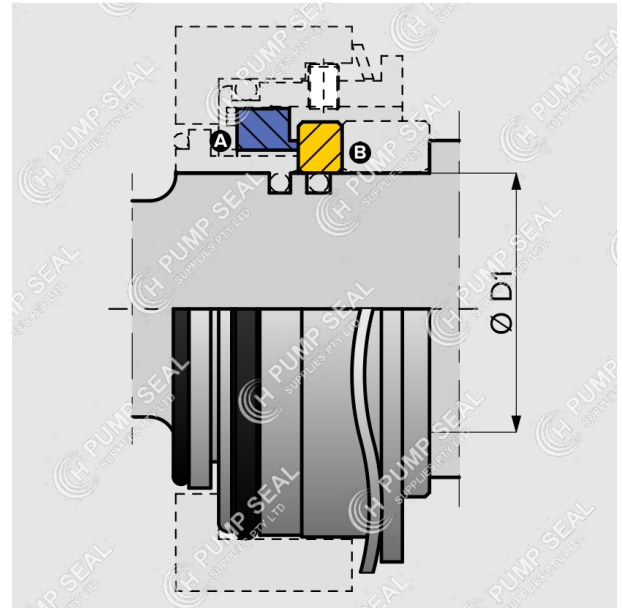


HFL**'FRISTAM FL LOBE PUMP FACE KIT'
SPECIFICATION SHEET**

- ▶ **Replacement face kit**
- ▶ **Suits Fristam FL & FK pumps**

Replacement wear face kit to suit older Fristam FL Rotary Lobe pumps and FK Circumferential piston pumps

PARTS

- A** Stationary Face
- B** Rotary Face

EQUIVALENT

WOFB
WOFBC
WOFBU
Type W-XX11/2
Type W-XX11/3
Type W-XX11/3.VIT

PUMP COMPATIBILITY

Rotary Lobe	
FL / FLF / FLFN 55	= 21mm
FL / FLF / FLFN 75	= 31mm
FL / FLF / FLFN 100	= 38mm
FL / FLF / FLFN 130	= 52mm
Circumferential Piston	
FK / FKF / FKL / FKN / FKFN 55	= 21mm
FK / FKF / FKL / FKN / FKFN 75	= 31mm
FK / FKF / FKL / FKN / FKFN 100	= 38mm
FK / FKF / FKL / FKN / FKFN 130	= 52mm