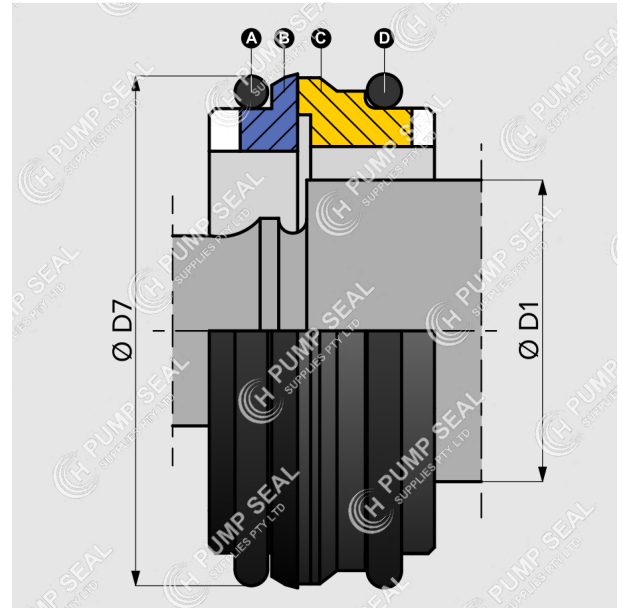


# HDW

## 'H/APV/DW' SPECIFICATION SHEET



- ▶ Suits APV DW lobe pumps
- ▶ Replacement seal face kit
- ▶ Single seal

HDW is designed to replace the seal face kit APV DW range, ultra-hygienic lobe rotor pumps.

▶ **Material options**

Rotary Face: SIC  
 Stationary Face: CAB, SIC  
 Elastomer: V, EP

### PARTS

- A O-ring
- B Rotary Face
- C Stationary Face
- D O-ring

### EQUIVALENT

TOWDW

### PUMP COMPATIBILITY

Replaces the single seals in APV DW series ultra-hygienic rotary lobe pumps