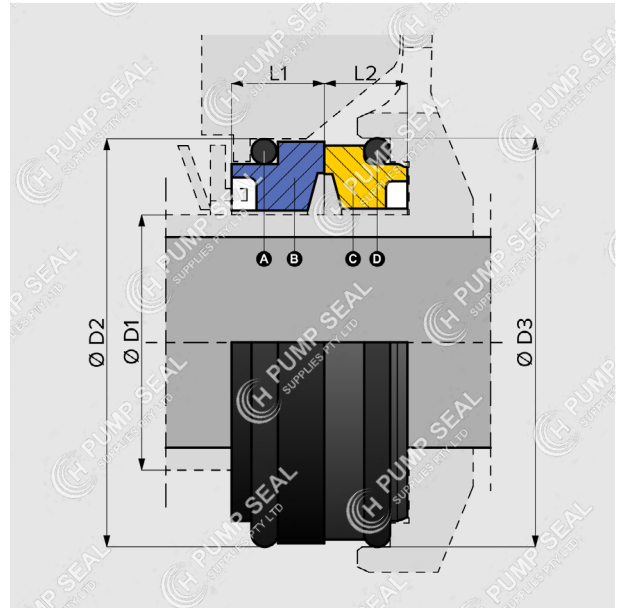


# HCW

'H/DON/190606'

## SPECIFICATION SHEET



- ▶ Suits Chinese sanitary pumps
- ▶ Suits Donjoy CIP pumps
- ▶ Seal face kit
- ▶ Non-shaft sealing

HCW is a seal face kit designed to replace the rotary & stationary single seal faces in Chinese sanitary / hygienic pumps. It is wave-spring & thrust plate driven (not included).

### ▶ Material options

Rotary Face:	SiC
Stationary:	CAB
Elastomer:	N, V or EP

### PARTS

- A** O-ring
- B** Stationary Face
- C** Rotary Face
- D** O-ring

### EQUIVALENT

SH-PL32S

### PUMP COMPATIBILITY

Suits Donjoy CIP pumps:

CIP-L-05  
CIP-L-10  
CIP-L-20  
CIP-L-30

CIP-U-10  
CIP-U-20  
CIP-U-30

JZ1, single-stage emulsifying homogenising pumps  
HHQ, mixing pumps  
DLX, multistage centrifugal pumps  
SLX, S.S. centrifugal pumps