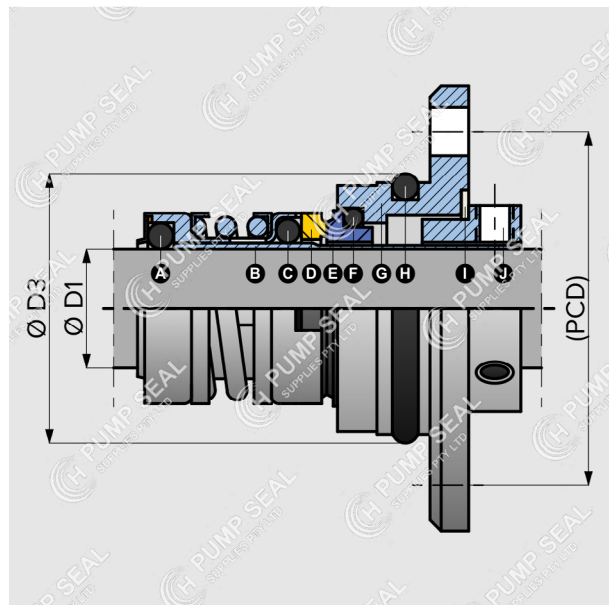


# HCR3

## 'VERTICAL MULTISTAGE CARTRIDGE SEAL' SPECIFICATION SHEET



- ▶ Suits Davey VM Series
- ▶ Cartridge Mechanical Seal
- ▶ Easy Installation

HCR3 replaces the mechanical seal in Vertical Multistage pumps, most notably Davey's VM Series. The seal is a direct replacement for original seals and available stocked in Silicon Carbide hard faces.

To install, simply mount and bolt the gland plate (G) to the pump housing and tighten the set screws (J). A PTFE spacer (I) acts as a setting clip to provide the necessary compression.

### ▶ Material Options

Seal Faces: SiC/SiC  
Elastomer: FPM (Viton)  
Metal Parts: Stainless Steel

### PARTS

- A O-ring
- B Sleeve
- C O-ring
- D Rotary Face
- E Stationary
- F O-ring
- G Gland Plate
- H O-ring
- I PTFE Spacer
- J Set Screws

### PUMP COMPATIBILITY

Replaces the seal in Vertical Multistage pumps:

Davey VM  
VM 1  
VM 3  
VM 5

VM 10  
VM 16  
VM 20

VM 32  
VM 42  
VM 65  
VM 90

CNP CDM(F)  
CDM 1  
CDM 3  
CDM 5

CDM 10  
CDM 16  
CDM 20

CDM 32  
CDM 42  
CDM 65  
CDM 90