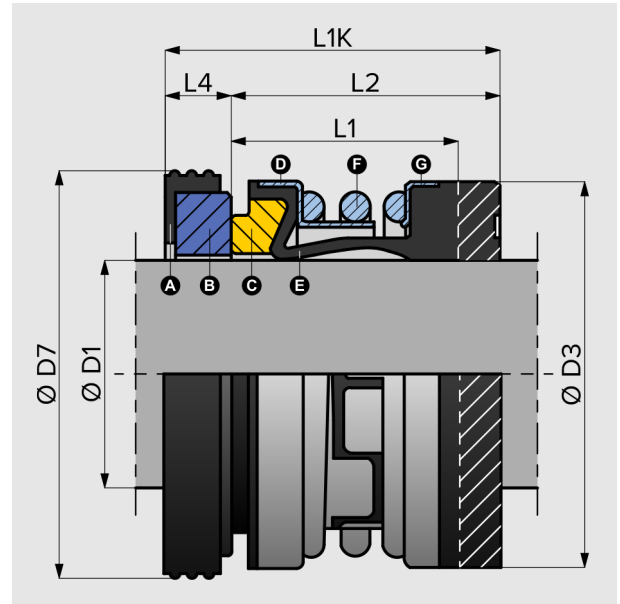
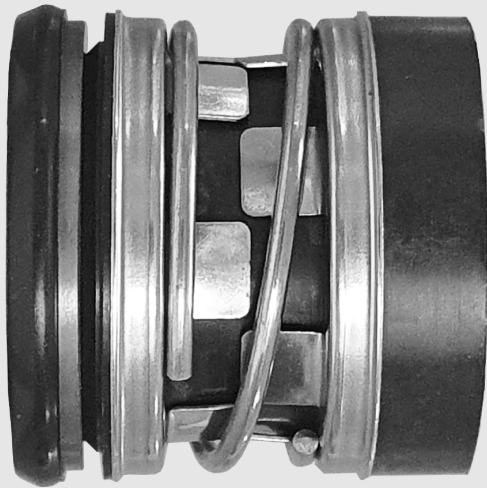


HC1 / HC12

'TYPE 2100 & TYPE 2100 SHORT' SPECIFICATION SHEET



- ▶ Rubber bellows drive
- ▶ Intermeshing tags for additional positive key drive
- ▶ Independent of direction of rotation
- ▶ DIN 24960 compliant

HC1 & HC12 is a rubber bellows mechanical seal which utilises intermeshing metal tags to protect the bellows from torsional strain. Designed for use in demanding water-based applications such as wastewater treatment. HC1 conforms to DIN length L1S and HC12 to DIN length L1K.

- ▶ **Operating conditions**
 Temperature: -20°C to +200°C
 Pressure: up to 20 bar, 290 psi
 Speed: up to 15m/s, 3000 fpm

- ▶ **Material Options**
 Rotary Face: CAB or SiC
 Stationary Face: SiC
 Elastomer: N, V or EP
 Metal Parts: Stainless Steel

PARTS

- A Seat Cup
- B Seat (C60 Standard)
- C Rotary Face
- D Metal Tags
- E Rubber Bellows
- F Spring
- G Drive Band

EQUIVALENT

- 2100
- B05 / B052
- B05U
- B09xU
- 14 / 142

STANDARD SEAT

- C60 Metric Cup Seat
- BS Metric O-ring Seat

DIMENSIONS

- D1: Shaft Size
- D3: Rotary OD
- D7: Seat Cavity / Bore
- L4: Seat Thickness
- L1: DIN length short
- L2: DIN length
- L1S: L1 + L4 (DIN short)
- L1K: L2 + L4 (DIN)

	D1	D3	D7	L4	L1	L2	L1S	L1K
10mm		20.0	22.0	5.0	15.0	27.5	20.0	32.5
12mm		22.0	23.0	6.0	15.0	26.5	21.0	32.5
14mm		24.0	25.0	6.0	15.0	29.0	21.0	35.0
15mm		25.0	26.0	-	15.0	29.0		-
16mm		26.0	27.0	6.0	15.0	29.0	21.0	35.0
18mm		32.0	33.0	6.0	20.0	31.5	26.0	37.5
20mm		34.0	35.0	6.0	20.0	31.5	26.0	37.5
22mm		36.0	37.0	6.0	20.0	31.5	26.0	37.5
24mm		38.0	39.0	6.0	20.0	34.0	26.0	40.0
25mm		39.0	40.0	6.0	20.0	34.0	26.0	40.0
28mm		42.0	43.0	6.0	26.0	36.5	32.0	42.5
30mm		44.0	45.0	7.0	26.0	35.5	33.0	42.5
32mm		46.0	48.0	7.0	26.0	35.5	33.0	42.5
33mm		47.0	48.0	7.0	26.0	35.5	33.0	42.5
35mm		49.0	50.0	8.0	26.0	34.5	34.0	42.5
38mm		54.0	56.0	8.0	30.0	37.0	38.0	45.0
40mm		56.0	58.0	8.0	30.0	37.0	38.0	45.0
43mm		59.0	61.0	8.0	30.0	37.0	38.0	45.0
45mm		61.0	63.0	8.0	30.0	37.0	38.0	45.0
48mm		64.0	66.0	10.0	30.0	35.0	40.0	45.0
50mm		66.0	70.0	10.0	30.0	37.5	40.0	47.5
53mm		69.0	73.0	10.0	30.0	37.5	40.0	47.5
55mm		71.0	75.0	10.0	30.0	37.5	40.0	47.5
58mm		78.0	78.0	10.0	33.0	42.5	43.0	52.5
60mm		80.0	80.0	12.0	33.0	40.5	45.0	52.5
63mm		83.0	83.0	12.0	33.0	40.5	45.0	52.5
65mm		85.0	85.0	12.0	33.0	40.5	45.0	52.5
68mm		88.0	90.0	12.0	33.0	40.5	45.0	52.5
70mm		90.0	92.0	12.0	33.0	48.0	45.0	60.0
75mm		99.0	97.0	12.0	40.0	48.0	52.0	60.0
80mm		104.0	105.0	12.5	40.0	47.5	52.5	60.0
85mm		109.0	110.0	12.5	40.0	47.5	52.5	60.0
90mm		114.0	115.0	12.5	40.0	52.5	52.5	65.0
95mm		119.0	120.0	12.5	40.0	52.5	52.5	65.0
100mm		124.0	125.0	12.5	40.0	52.5	52.5	65.0