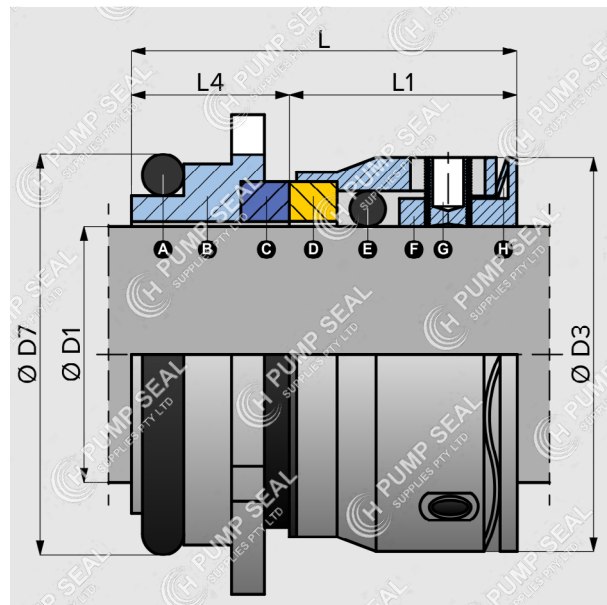


H87

'TYPE 87' SPECIFICATION SHEET



- ▶ **Compact, bi-directional**
- ▶ **Wave-spring pusher**
- ▶ **O-ring mounted**
- ▶ **Heavier-duty applications**
- ▶ **Mechanical drive**

H87 are better suited to poorer operating conditions found with self-priming rotary lobe pumps.

It is designed to be wave-spring driven, set-screwed with a thin cross-section and short working length.

▶ **Operating conditions**

Temperature: -40°C to +200°C
 Pressure: up to 20 bar, 290 psi
 Speed: up to 5.5m/s, 1100 fpm

▶ **Material options**

Rotary Face: S.S. solid
 SiC inserted
 TC inserted

Stationary: CAB solid
 CAB inserted
 SiC solid
 SiC inserted
 TC solid
 TC inserted

Elastomer: N, V or EP

Metal Parts: Stainless Steel

PARTS

- A** O-ring
- B** Stationary Holder
- C** Stationary Face
- D** Rotary Face
- E** O-ring
- F** Drive Collar
- G** Set Screw
- H** Wave-spring

EQUIVALENT

Type 87 (EI/EC)
 RTH87 / R90
 1682
 W03SU

DIMENSIONS

D1	D3	D7	L4	L1	L
20mm	32.4	30.00	10.5	19.5	30.5
30mm	44.0	41.30	11.1	21.4	32.5
35mm	50.8	46.95	12.0	22.0	34.0
45mm	62.4	58.25	12.6	22.9	35.5
55mm	76.0	69.55	13.2	29.3	42.5
75mm	99.2	92.15	14.4	31.1	45.5

PUMP COMPATIBILITY

Replaces the mechanical seals in:

Alfa Laval SR Range:

SR1, SR2, SR3, SR4, SR5, SR6

Alfa Laval SRU Range:

SRU1 / 005, SRU1 / 008
 SRU2 / 013, SRU2 / 018
 SRU3 / 027, SRU3 / 038
 SRU4 / 055, SRU4 / 079
 SRU5 / 116, SRU5 / 168
 SRU6 / 260, SRU6 / 353

NMOG

LKPL

TSR

GHPD