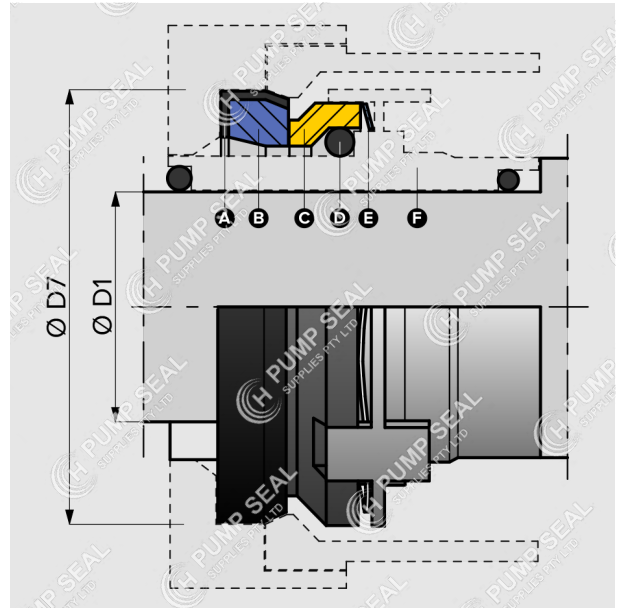


H85

'H/APV/85'

SPECIFICATION SHEET



- ▶ Suits APV Howard Cleanline
- ▶ Rotary lobe pumps
- ▶ Replacement seal face kit
- ▶ Suits single & double seals

H85 is designed to replace the "R900" style face kit in outphased APV Howard Cleanline (CL) lobe pumps. This series has been replaced by the DW range.

▶ Material options

Rotary Face: SIC
 Stationary Face: CAB, SIC
 Elastomer: V, EP

PARTS

- A Rubber Cup
- B Stationary Face
- C Rotary Face
- D O-ring
- E Wave-spring
- F Rotary Holder (excl.)

EQUIVALENT

294
 W010U
 R900

PUMP COMPATIBILITY

Replaces the single & double seals in APV Howard Cleanline CL positive displacement rotary lobe pumps