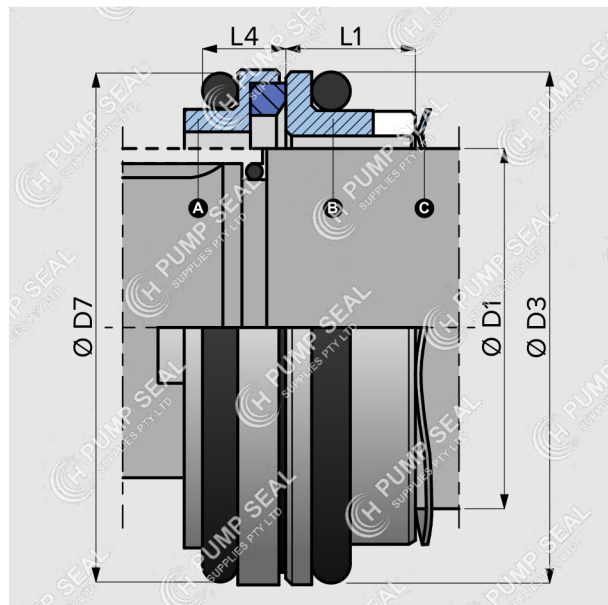


H82/JSOL

'JOHNSON UK - ON-LINE LOBE PUMPS' SPECIFICATION SHEET



- ▶ Suits Johnson On-Line Pumps
- ▶ Mechanical face kit
- ▶ Wave-spring pusher
- ▶ Non-shaft sealing

H82/JSOL is designed to replace the now outphased range of 'On-Line' or 'Duralobe' lobe pumps made by Johnson Pumps (UK).

Seals slot / pin driven and seal directly on the back of the lobe and is non-shaft sealing.

▶ Material options

Rotary Face: CAB inserted
TC inserted

Stat. Face: S.S. solid
TC solid

Elastomer: N, V, EP

PARTS

- A Rotary
B Stationary
C Wave Spring

EQUIVALENT

W06U
HRZ60
RT72

DIMENSIONS

D1	D3	D7	L4	L1
24mm	36.51	36.51	15.0	13.2
42mm	57.15	53.98	15.8	15.5
53mm	69.85	69.85	18.5	15.5
75mm	101.00	98.43	21.5	21.0

PUMP COMPATIBILITY

Suits Johnson Pump (UK) On-Line Lobe Pumps

OL1
OL2
OL3
OL4

Suits Viking Pump Hygienic Duralobe S Series:

Duralobe S1
Duralobe S2
Duralobe S3
Duralobe S4