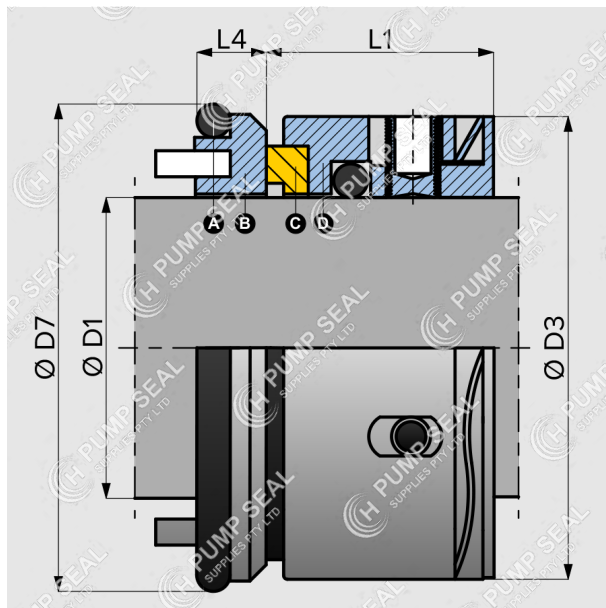
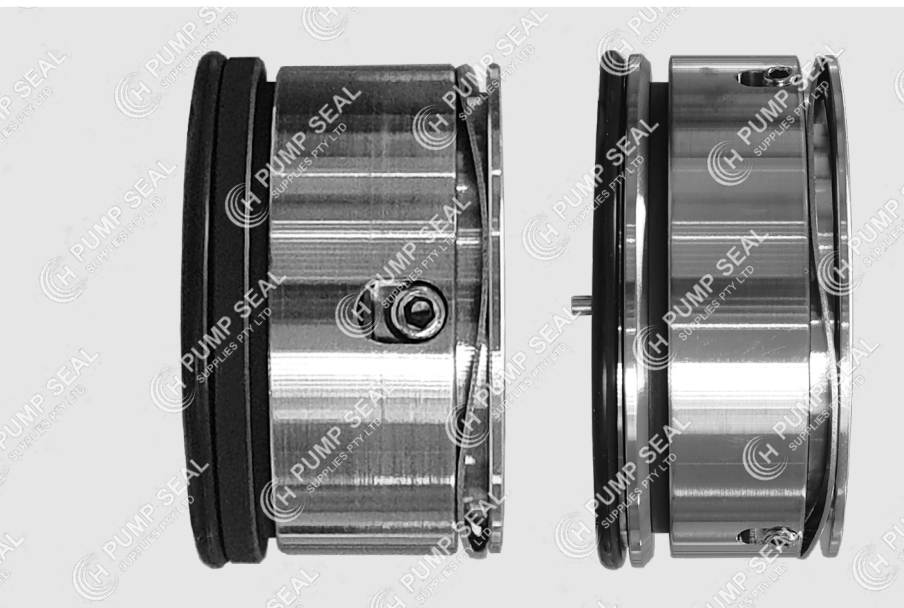


H80/JSPD

'JOHNSON UK - PD SERIES' SPECIFICATION SHEET



► **Suits Johnson PD Series**

► **Type 80 style rotary**

H80/JSPD is designed to replace the mechanical seals in Johnson's early designed PD Series pumps.

Available in unpinned, pinned or hard face materials.

► **Material options**

Rotary Face:	CAB inserted
	S.S. solid
	TC solid
	SiC inserted
Stationary Face:	S.S. pinned
	TC pinned
	CAB unpinned
Elastomer:	N, V, EP
Metal Parts:	316 S.S.

PARTS

- A O-ring
- B Stationary
- C Inserted Face
- D Type 80 Style Rotary

DIMENSIONS

	D1	D3	D7	L4	L1
24mm		34.1	38.10*	7.6	19.1
1.375"		45.5	47.62	7.6	19.1
2.000"		62.0	66.67	9.6	21.1
80mm		99.6	-	-	25.8

PUMP COMPATIBILITY

Suits Johnson Pump (UK) PD Series Pumps:

PD 10
PD 20
PD 30
PD 50