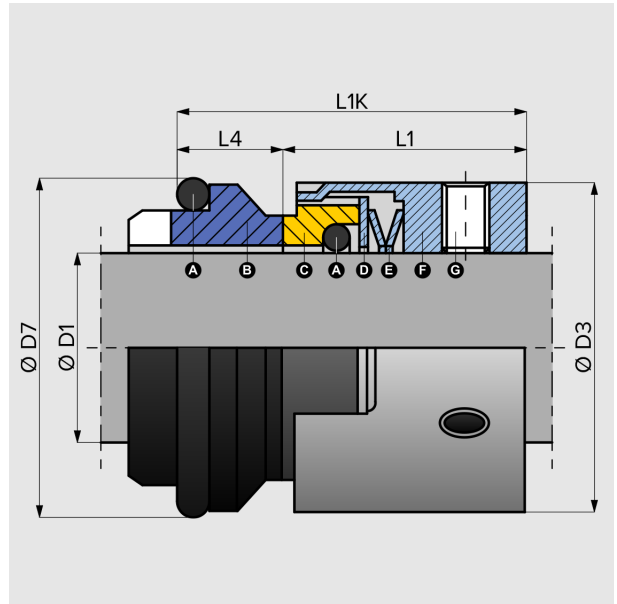


H7U

'TYPE M7N' SPECIFICATION SHEET



- ▶ **Wave-Spring Pusher**
- ▶ **DIN 24960 L1K**
- ▶ **Unbalanced**

H7U is a wave-spring seal and is designed to use a sinuous wave-spring to compensate for face wear. Seal faces are easily replaceable. Unbalanced, to suit metric DIN shafts.

▶ **Operating conditions**

Temperature: -30°C to +260°C
 Pressure: up to 17 bar, 245 psi
 Speed: up to 20m/s, 4000 fpm

▶ **Material Options**

Rotary Face: SiC
 Stat. Face: CAB, A1.CAB or SiC
 Elastomer: N, V or EP
 Metal Parts: Stainless Steel

PARTS

- A** O-ring
- B** Seat (G9 Standard)
- C** Rotary Face
- D** Thrust Ring
- E** Wave Spring
- F** Drive Collar
- G** Set Screw

EQUIVALENT

M7N
 W07DMU
 Type 1677

SEAT OPTIONS

- G9 anti-rotation slot
- G4 Euro O-ring Long
- G13 Euro O-ring Short
- G6 DIN O-Ring

D1	D3	D7	L4	L1	L1K
14mm	25.0	25.0	10.0	25.0	35.0
16mm	27.0	27.0	10.0	25.0	35.0
18mm	33.0	33.0	11.5	26.0	37.5
20mm	35.0	35.0	11.5	26.0	37.5
22mm	37.0	37.0	11.5	26.0	37.5
24mm	39.0	39.0	11.5	28.5	40.0
25mm	40.0	40.0	11.5	28.5	40.0
28mm	43.0	43.0	11.5	31.0	42.5
30mm	45.0	45.0	11.5	31.0	42.5
32mm	47.0	48.0	11.5	31.0	42.5
33mm	48.0	48.0	11.5	31.0	42.5
35mm	50.0	50.0	11.5	31.0	42.5
38mm	55.0	56.0	14.0	31.0	45.0
40mm	57.0	58.0	14.0	31.0	45.0
43mm	60.0	61.0	14.0	31.0	45.0
45mm	62.0	63.0	14.0	31.0	45.0
48mm	65.0	66.0	14.0	31.0	45.0
50mm	67.0	70.0	15.0	32.5	47.5
53mm	70.0	73.0	15.0	32.5	47.5
55mm	72.0	75.0	15.0	32.5	47.5
58mm	79.0	78.0	15.0	37.5	52.5
60mm	81.0	80.0	15.0	37.5	52.5
63mm	84.0	83.0	15.0	37.5	52.5
65mm	86.0	85.0	15.0	37.5	52.5
68mm	89.0	90.0	18.0	34.5	52.5
70mm	91.0	92.0	18.0	42.0	60.0
75mm	99.0	97.0	18.0	42.0	60.0
80mm	104.0	105.0	18.2	41.8	60.0
85mm	109.0	110.0	18.2	41.8	60.0
90mm	114.0	115.0	18.2	46.8	65.0
95mm	119.0	120.0	17.2	47.8	65.0
100mm	124.0	125.0	17.2	47.8	65.0
105mm	138.0	134.3	20.0	47.0	64.0
110mm	143.0	140.3	20.0	47.0	67.0
115mm	148.0	148.3	20.0	47.0	67.0
120mm	153.0	150.3	20.0	47.0	67.0
125mm	158.0	154.3	20.0	47.0	67.0
130mm	163.0	158.3	20.0	47.0	67.0