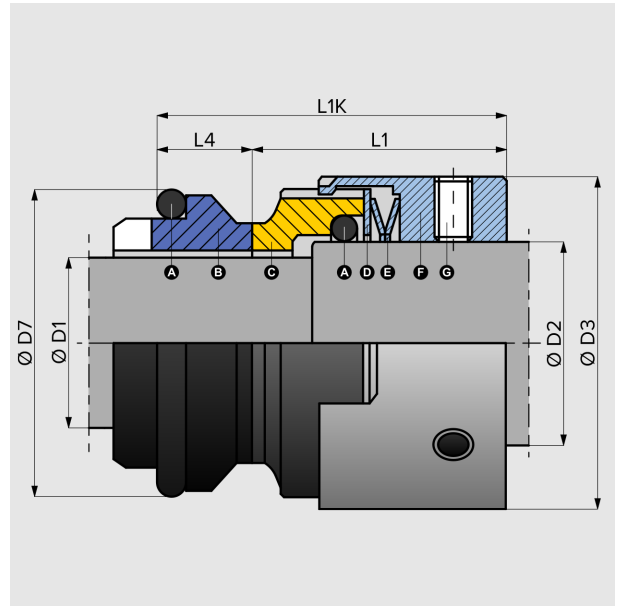


# H7B

## 'TYPE H7N' SPECIFICATION SHEET



- ▶ **Wave-Spring Pusher**
- ▶ **DIN 24960 L1K**
- ▶ **Balanced**

H7B is a wave-spring seal and is designed to use a sinuous wave-spring to compensate for face wear. Seal faces are easily replaceable. To suit metric DIN shafts.

▶ **Operating conditions**

Temperature: -30°C to +260°C  
 Pressure: up to 40 bar, 580 psi  
 Speed: up to 20m/s, 4000 fpm

▶ **Material Options**

Rotary Face: SiC  
 Stat. Face: CAB, A1.CAB or SiC  
 Elastomer: N, V or EP  
 Metal Parts: Stainless Steel

**PARTS**

- A** O-ring
- B** Seat (G9 Standard)
- C** Rotary Face
- D** Thrust Ring
- E** Wave Spring
- F** Drive Collar
- G** Set Screw

**EQUIVALENT**

H7N  
 W07DMBU  
 Type 1678

**SEAT OPTIONS**

- G9 anti-rotation slot
- G4 Euro O-ring Long
- G13 Euro O-ring Short
- G6 DIN O-Ring

D1/D2	D3	D7	L4	L1	L1K
14/18mm	33.0	25.0	10.0	32.5	42.5
16/20mm	35.0	27.0	10.0	32.5	42.5
18/22mm	37.0	33.0	11.5	33.5	45.0
20/24mm	39.0	35.0	11.5	33.5	45.0
22/26mm	40.0	37.0	11.5	33.5	45.0
24/28mm	43.0	39.0	11.5	36.0	47.5
25/30mm	45.0	40.0	11.5	36.0	47.5
28/33mm	47.0	43.0	11.5	38.5	50.0
30/35mm	48.0	45.0	11.5	38.5	50.0
32/38mm	50.0	48.0	11.5	38.5	50.0
33/38mm	55.0	48.0	11.5	38.5	50.0
35/40mm	57.0	50.0	11.5	38.5	50.0
38/43mm	60.0	56.0	14.0	38.5	52.5
40/45mm	62.0	58.0	14.0	38.5	52.5
43/48mm	65.0	61.0	14.0	38.5	52.5
45/50mm	67.0	63.0	14.0	38.5	52.5
48/53mm	70.0	66.0	14.0	38.5	52.5
50/55mm	72.0	70.0	15.0	42.5	57.5
53/58mm	79.0	73.0	15.0	42.5	57.5
55/60mm	81.0	75.0	15.0	42.5	57.5
58/63mm	84.0	78.0	15.0	47.5	62.5
60/65mm	86.0	80.0	15.0	47.5	62.5
63/68mm	89.0	83.0	15.0	47.5	62.5
65/70mm	91.0	85.0	15.0	47.5	62.5
70/75mm	99.0	92.0	18.0	52.0	70.0
75/80mm	104.0	97.0	18.0	52.0	70.0
80/85mm	109.0	105.0	18.2	51.8	70.0
85/90mm	114.0	110.0	18.2	56.8	75.0
90/95mm	119.0	115.0	18.2	56.8	75.0
95/100mm	124.0	120.0	17.2	57.8	75.0
100/105mm	129.0	125.0	17.2	57.8	75.0
105/115mm	148.0	134.3	20.0	53.0	73.0
110/120mm	153.0	140.3	20.0	53.0	73.0
115/125mm	158.0	148.3	20.0	53.0	73.0
120/130mm	163.0	150.3	20.0	53.0	73.0