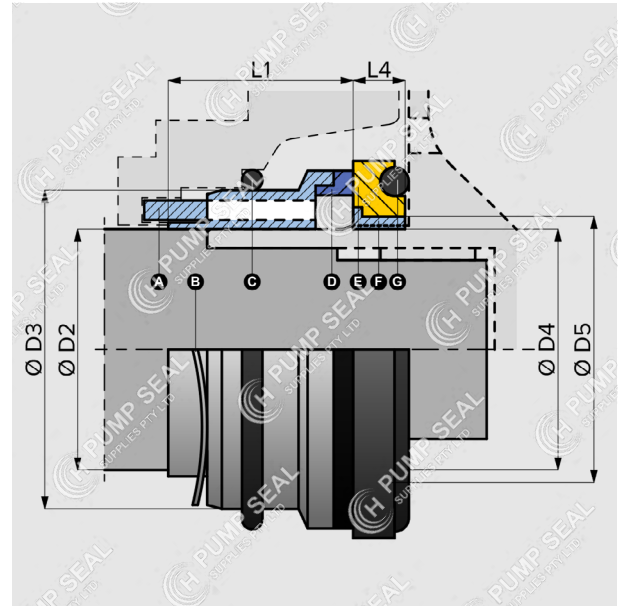


H66

'STATIONARY HYGIENIC SEAL' SPECIFICATION SHEET



- ▶ Suits Chinese sanitary pumps
- ▶ Suits Donjoy KS / LX
- ▶ Suits Nissin SCP / ECP
- ▶ Stationary-based design
- ▶ Non-shaft sealing
- ▶ Wave-spring pusher
- ▶ Complete with locking collar

H66 is designed to replace the single mechanical shaft seals in many Chinese sanitary / hygienic pumps. It is a stationary-based design whereby the rotary is o-ring sealed against the back of the impeller with a locking ring. The stationary uses a wave-spring and is o-ring sealed against the housing. There is also provision for pinned anti-rotation.

▶ Material options

Rotary Face:	SiC
Stationary:	CAB or SiC
Elastomer:	N, V or EP
Metal Parts:	S.S.

PARTS

- A** Anti-rotation pin
- B** Wave-spring
- C** O-ring
- D** Stationary Face
- E** Rotary Face
- F** Locking Collar
- G** O-ring

EQUIVALENT

SH-NI-32P
SH-DY-32P
SH-NI-36P
SH-DY-36P

FT-DJ-32
FT-DJ-35

K32S.C6E
K36S.C6E

PUMP COMPATIBILITY

Suits Donjoy pumps:

Centrifugal pumps: S-KS, KS, SLX, DLX, KLX
Self-priming pumps: CIP, ZLX

Suits Nissin pumps:

SCP, ECP 6
SCP, ECP 8
SCP, ECP 10
SCP, ECP 12
SCP, ECP 13
SCP, ECP 15
SCP, ECP 20
SCP, ECP 25
SCP, ECP 25-40
SCP, ECP 75-65