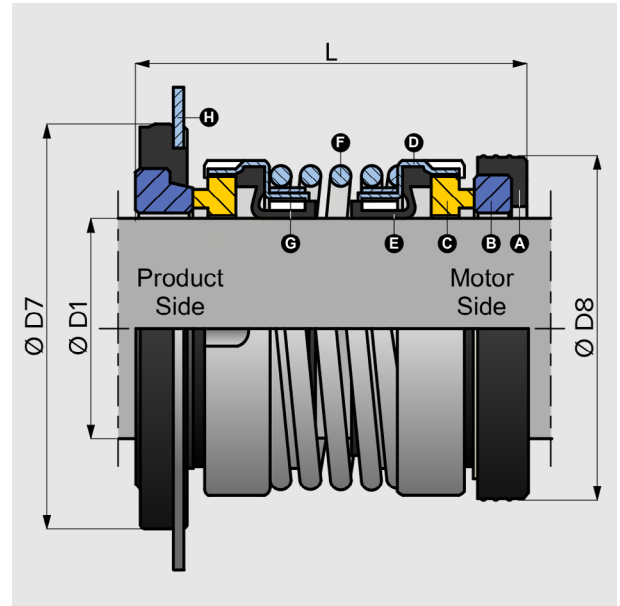


H560D

'TYPE 560D' SPECIFICATION SHEET



- ▶ **Double seal for straight shafts**
- ▶ **Pump-specific**
- ▶ **To Japanese specifications**

H560D is the back-to-back arrangement of H560 base to suit straight shafts. Dimensions are pump-specific, found commonly in Japanese-brand submersible pumps.

▶ **Operating conditions**

Temperature: -30°C to +200°C
 Pressure: up to 10 bar, 145 psi
 Speed: up to 13m/s, 2500 fpm

▶ **Material Options**

Product: CAB/CER, SiC/SiC
 Motor: CAB/SiC, SiC/SiC
 Elastomer: N or V
 Metal Parts: Stainless Steel

CODE

•	standard ED560
TS	Tsurumi
SK	Sakuragawa
EB	Ebara
PD	Saer PD
◇	misc.

PARTS

A	Seat Cup
B	Seat
C	Rotary Face
D	Retainer
E	Rubber Diaphragm
F	Spring
G	Drive Band
H	Locking Washer

EQUIVALENT

ED560
 ED560

SEAT

Pump-specific

DIMENSIONS

D1	D7	D8	L	CODE
12mm	25.0	25.0	36.0	TS
13mm	25.0	25.0	36.0	•
14mm	30.0	30.0	36.0	• TS SK
	34.0	30.0		PD
15mm	26.0	26.0	36.0	◇
	30.0	30.0		• TS SK EB
16mm	30.0	30.0	36.0	•
	30.0	28.0		◇
18mm	32.0	32.0	49.0	◇
	38.0	34.0		PD
20mm	33.0	33.0	49.0	◇
	44.0	38.0		• TS
24mm	38.0	38.0	49.0	SK EB
	35.0	35.0		◇
25mm	44.0	39.0	49.0	◇
	50.0	44.0		• TS
30mm	44.0	44.0	51.0	SK
	40.0	40.0		◇
35mm	57.0	50.0	59.0	• SK EB
	57.0	44.0		TS
	58.0	50.0		◇
	45.0	45.0		◇
40mm	64.0	58.0	61.0	• EB
	58.0	58.0		SK
	57.0	54.0		TS
	50.0	50.0		◇
45mm	70.0	64.0	65.0	• SK EB
	70.0	68.0		TS
	70.0	70.0		◇
50mm	70.0	66.0	65.0	•
	66.0	66.0		SK
55mm	70.0	68.0	70.0	TS
	80.0	75.0		• TS
	70.0	70.0		◇
55mm	85.0	80.0	80.0	◇