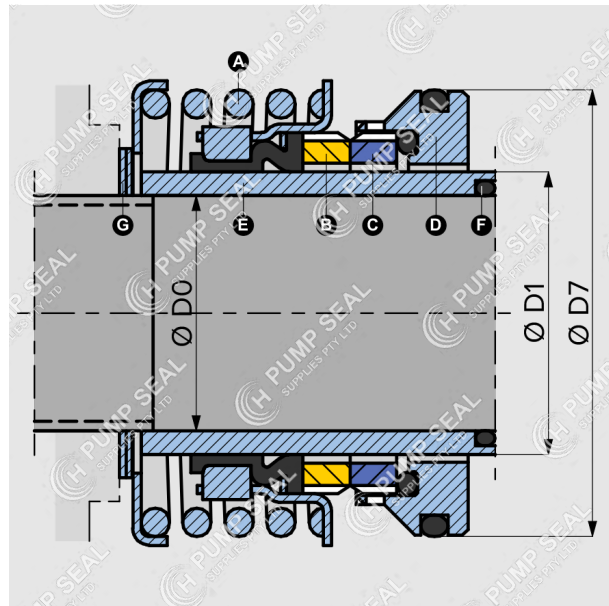


H2GR

'GORMAN-RUPP TYPE 2 SEAL' SPECIFICATION SHEET



- ▶ Suits Gorman-Rupp pumps
- ▶ Stationary holder design
- ▶ Kit as standard
- ▶ Mech. seal only - optional

H2GR is designed to replace the Type 2 style mechanical seals in Gorman-Rupp pumps.

Full kit as standard, includes shaft sleeve, sleeve o-ring and impeller shims.

Mechanical seal only (rotary + stationary) optional.

▶ **Material Options:**

Rotary Face: TC or SiC
 Stationary Face: TC or SiC
 Elastomer: Viton
 Metal Parts: S.S.

▶ **Cartridge (Unitised) Version:**

H2GRC is the unitised "pre-set" version of the above seal in an easy-to install cartridge. Includes sleeve o-ring and shims



INCLUDED PARTS

- A H2 Rotary
- B Rotary Face
- C Stationary Face
- D Stationary Holder
- E Sleeve
- F Sleeve o-ring
- G Impeller Shims

EQUIVALENT

Type VGD
 Type VGDU (Cartridge)



PUMP COMPATIBILITY

Replaces Gorman-Rupp pumps with the following sleeve sizes:

- 0.750"
- 1.000"
- 1.250"
- 1.500"
- 1.875"
- 2.250"
- 2.750"
- 3.250"