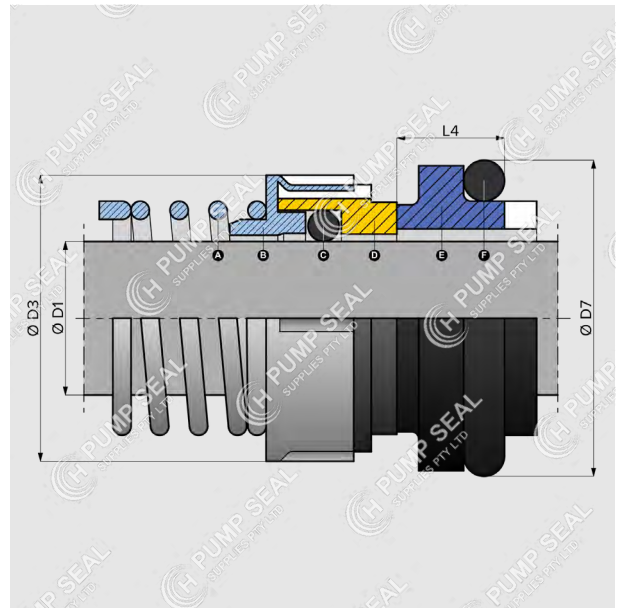


## H22

'TYPE 22C, TYPE 103B'

## SPECIFICATION SHEET



- ▶ Suits Chinese sanitary pumps
- ▶ Suits Donjoy BS
- ▶ Spring-driven
- ▶ O-ring shaft sealed
- ▶ Removable rotary face

H22 is designed to replace the single mechanical shaft seals in Chinese centrifugal dairy pumps. The seal is spring-leg driven which slots into and rotates with the impeller. An o-ring acts as the secondary shaft seal. The rotary face is removable to allow easy interchangeability of wear parts.

▶ **Material options**

Rotary Face:	SiC
Stationary:	CAB
Elastomer:	N, V or EP
Metal Parts:	S.S.

**PARTS**

- A Spring
- B Rotary Holder
- C O-ring
- D Rotary Face
- E Stationary Face
- F O-ring

**EQUIVALENT**

103  
103B  
SH-T103  
FT-022C

**PUMP COMPATIBILITY**

Suits Donjoy BS pumps:

BS-4  
BS-6  
BS-10  
BS-12