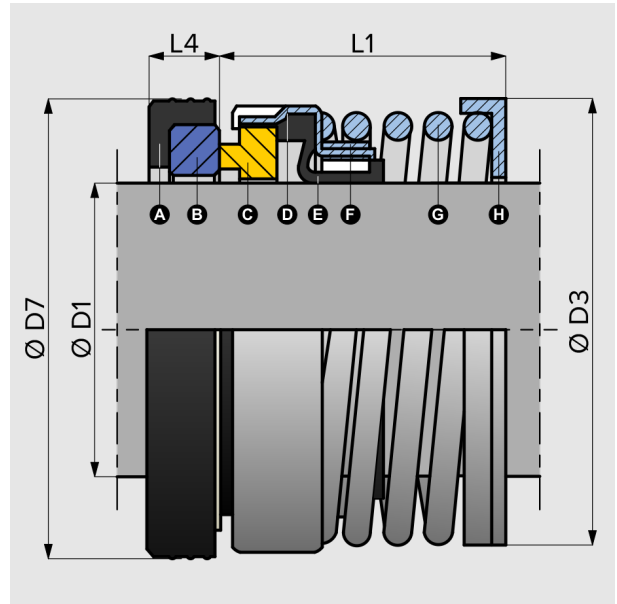
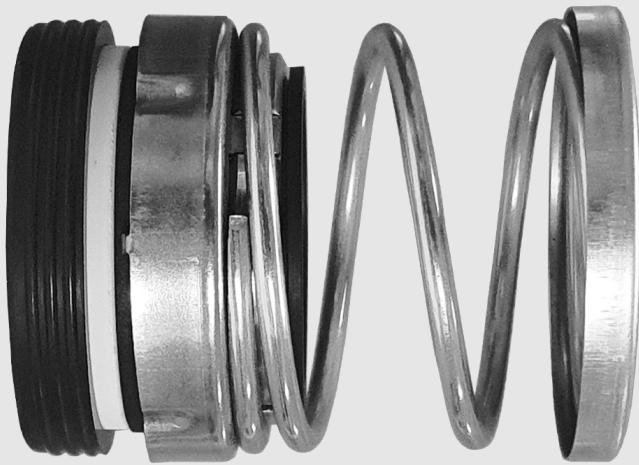


H21DIN

'TYPE 21 DIN' SPECIFICATION SHEET



- ▶ **Diaphragm / band drive**
- ▶ **General purpose**
- ▶ **Industry standard**

H21 is the most widely used mechanical seal due to its low cost / high efficiency ratio. It is a diaphragm, parallel spring mechanical seal which is self-aligning and positively driven via a drive band.

It is designed to suit metric DIN shaft sizes and cavities. For straight shafts, a setting collar can be supplied.

▶ **Operating conditions**

Temperature: -30°C to +200°C
 Pressure: up to 10 bar, 145 psi
 Speed: up to 13m/s, 2500 fpm

▶ **Material Options**

Rotary Face: CAB, SiC or TC
 Stationary Face: CER, SiC or TC
 Elastomer: N, V or EP
 Metal Parts: Stainless Steel

PARTS

- A** Seat Cup
- B** Seat (DCM Standard)
- C** Rotary Face
- D** Retainer
- E** Rubber Diaphragm
- F** Drive Band
- G** Spring
- H** Spring Cap

EQUIVALENT

T521
 P03
 Type 24
 MG912

STANDARD SEAT

DCM DIN Cup Seat
 BO DIN unslotted
 BP DIN anti-rotation slot

DIMENSIONS

D1: Shaft Size
 D3: Rotary OD
 D7: Seat Cavity
 L4: Seat Thickness
 L1: DIN rotary length
 L1K: L1 + L4 (DIN length)

D1	D3	D7	L4	L1	L1K
10mm	20.8	21.0	8.7	23.8	32.5
12mm	22.8	23.0	8.7	23.8	32.5
14mm	26.3	25.0	8.7	26.3	35.0
16mm	26.5	27.0	10.3	24.7	35.0
18mm	30.5	33.0	10.3	27.2	37.5
20mm	34.0	35.0	10.3	27.2	37.5
22mm	34.0	37.0	10.3	27.2	37.5
24mm	40.0	39.0	11.0	29.0	40.0
25mm	40.0	40.0	11.0	29.0	40.0
28mm	44.5	43.0	11.0	31.5	42.5
30mm	46.5	45.0	11.0	31.5	42.5
32mm	46.5	48.0	11.0	31.5	42.5
33mm	50.5	48.0	11.0	31.5	42.5
35mm	51.5	50.0	11.0	31.5	42.5
38mm	54.0	56.0	11.0	34.0	45.0
40mm	58.0	58.0	12.7	32.3	45.0
43mm	61.5	61.0	12.7	32.3	45.0
44mm	CM seat only				
45mm	61.5	63.0	12.7	32.3	45.0
48mm	65.5	66.0	12.7	32.3	45.0
50mm	70.5	70.0	12.7	34.8	47.5
53mm	75.0	73.0	14.2	33.3	47.5
55mm	75.0	75.0	14.2	33.3	47.5
58mm	79.0	78.0	14.2	38.3	52.5
60mm	82.0	80.0	14.2	38.3	52.5
63mm	85.0	83.0	14.2	38.3	52.5
65mm	85.0	85.0	16.0	36.5	52.5
68mm	91.5	90.0	16.0	36.5	52.5
70mm	91.5	92.0	16.0	44.0	60.0
75mm	99.0	97.0	16.0	44.0	60.0
80mm	105.0	105.0	12.0	48.0	60.0
85mm	110.0	110.0	14.0	46.0	60.0
90mm	115.0	115.0	14.0	51.0	65.0
95mm	121.0	120.0	14.0	51.0	65.0
100mm	128.0	125.0	14.0	51.0	65.0