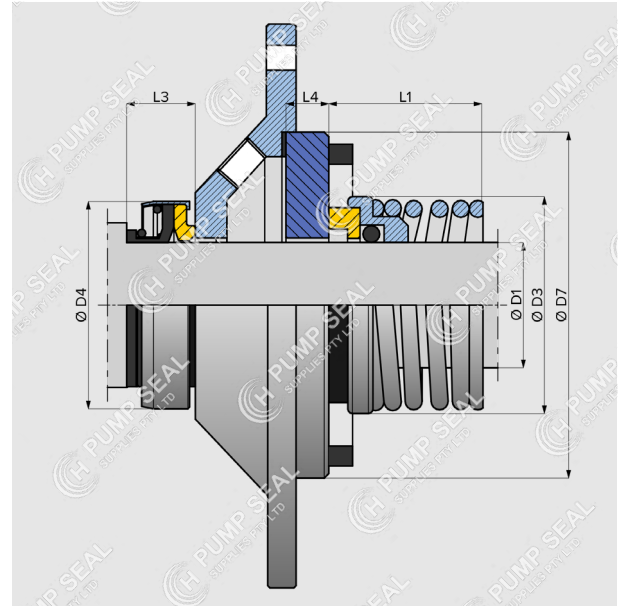


H202

'H/APV/PUMA-S & H/APV/PUMA-F' SPECIFICATION SHEET



- ▶ Suits APV Puma pumps
- ▶ Single or Flushed seal
- ▶ Original Flexibox Type R

H202 is designed to replace the standard and flushed seals in all APV Puma pumps.

Seal is based off the standard Flexibox Type R o-ring sealing-seal

Double flushed i.e. water-cooled seals can be supplied, where the addition of an external cyclam seal runs up against a lapped S.S. flushed housing.

▶ Material options

Rotary Face: CAB or SiC
 Stationary Face: SIC
 Elastomer: N, V, EP

INCLUDED PARTS

| | |
|--------|-----------------|
| 427840 | Rotary |
| 426573 | Rotary O-ring |
| 413812 | NBR Joint Ring |
| 444000 | NBR Gasket |
| 325099 | Flush Housing |
| 427866 | Ext. Flush Seal |

EQUIVALENT

| |
|--------------------|
| 427840 |
| R254-57R |
| P06 / BP06 / BP06U |
| Type 26 |

PUMP COMPATIBILITY

Designed to replace the 1.000" & 1.500" water cooled and non-water cooled shaft seals in APV Puma pumps