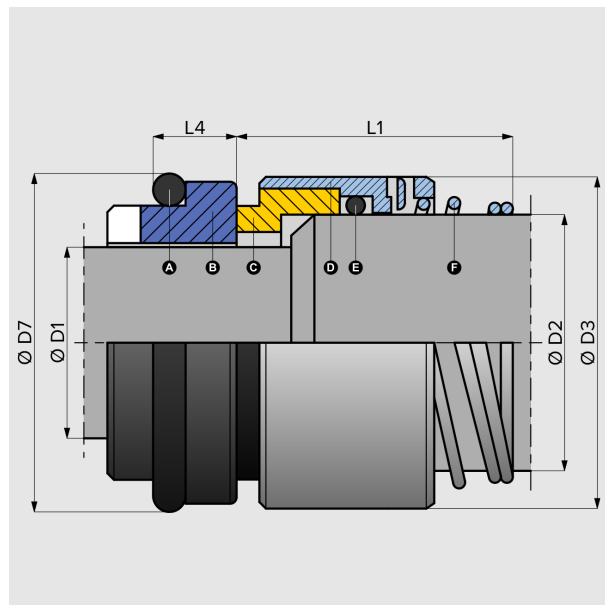


# H12N

## 'TYPE H12N' SPECIFICATION SHEET



- ▶ **Conical-spring drive**
- ▶ **Balanced**
- ▶ **Dependent on direction of rotation**
- ▶ **DIN 24960 dimensions**

H12N is the balanced version of the H32 / H37 seal

▶ **Operating conditions**

Temperature: -30°C to +260°C  
 Pressure: up to 25 bar, 360 psi  
 Speed: up to 15m/s, 3000 fpm

▶ **Material options**

Rotary Face: CAB, SiC, A1.CAB  
 Stationary: SiC  
 Elastomer: N, V or EP  
 Metal Parts: Stainless Steel

**PARTS**

- A O-ring
- B Seat (G9 standard)
- C Rotary Face Insert
- D Housing
- E O-ring
- F Conical Spring

**EQUIVALENT**

H12N

**STANDARD SEAT**

G9: anti-rotation slot

**DIMENSIONS**

D1/D2	D3	D7	L4	L1
10/14mm	24.0	21.0	10.0	25.5
12/16mm	26.0	23.0	10.0	26.5
14/18mm	31.0	25.0	10.0	29.5
16/20mm	34.0	27.0	10.0	31.0
18/22mm	36.0	33.0	11.5	32.5
20/24mm	38.0	35.0	11.5	32.5
24/28mm	42.0	39.0	11.5	32.5
25/30mm	44.0	40.0	11.5	33.5
28/33mm	47.0	43.0	11.5	35.5
30/35mm	49.0	45.0	11.5	35.5
32/38mm	54.0	48.0	11.5	39.5
33/38mm	54.0	48.0	11.5	39.5
35/40mm	56.0	50.0	11.5	43.5
38/43mm	59.0	56.0	14.0	46.0
40/45mm	61.0	58.0	14.0	48.0
43/48mm	64.0	61.0	14.0	51.0
45/50mm	66.0	63.0	14.0	55.0
48/53mm	69.0	66.0	14.0	55.0
50/55mm	71.0	70.0	15.0	58.0
53/58mm	78.0	73.0	15.0	60.0
55/60mm	79.0	75.0	15.0	60.0
60/65mm	85.0	80.0	15.0	60.0
63/68mm	88.0	83.0	15.0	60.0
65/70mm	90.0	85.0	15.0	61.0
70/75mm	98.0	92.0	18.0	63.0
75/80mm	103.0	97.0	18.0	68.0