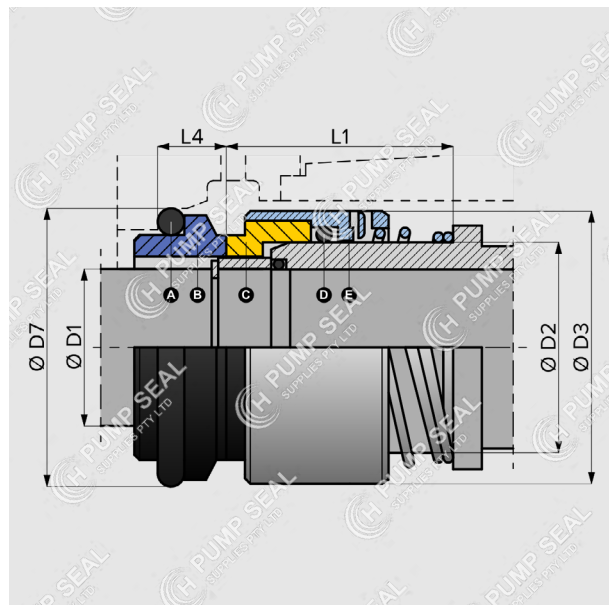


H12N/R

'RITZ PUMPS' SPECIFICATION SHEET



- ▶ Suits Ritz Pumps
- ▶ Pump-specific sizes
- ▶ Suction & discharge ends

H12N/R is designed to replace the mechanical seals in the suction / discharge ends in Ritz pumps.

▶ **Operating conditions**

Temperature: -30°C to +260°C
 Pressure: up to 25 bar, 360 psi
 Speed: up to 15m/s, 3000 fpm

▶ **Material Options**

Rotary Face: TC
 Stationary Face: TC, CAB
 Elastomer: N, V or EP
 Metal Parts: Stainless Steel

EQUIVALENT

- 0411068
- 0411055
- 0411709
- 0411699
- 0411712
- 0411725
- 0411738
- 0411741
- 0362269
- 0362256
- 0362285
- 0362272
- 0362382
- 0362379
- 0362405
- 0362395
- 0362366
- 0362353
- 0362324
- 0362311
- 0366443
- 0366430
- 0366537
- 0366540

DIMENSIONS

▶ **H12N - Balanced**

D1/D2	D3	D7	L4	L1
35/38mm	54.0	52.0	11.0	39.5
40/42mm	55.0	58.0	12.5	43.5
45/50mm	66.0	63.0	14.0	55.0
55/60mm	79.0	75.0	15.0	60.0
60/65mm	85.0	80.0	15.0	60.0
70/75mm	98.0	92.0	18.0	63.0

▶ **H37 - Unbalanced**

D1	D3	D7	L4	L1
55mm	71.0	75.0	15.0	47.0
60mm	79.0	80.0	18.2	51.0