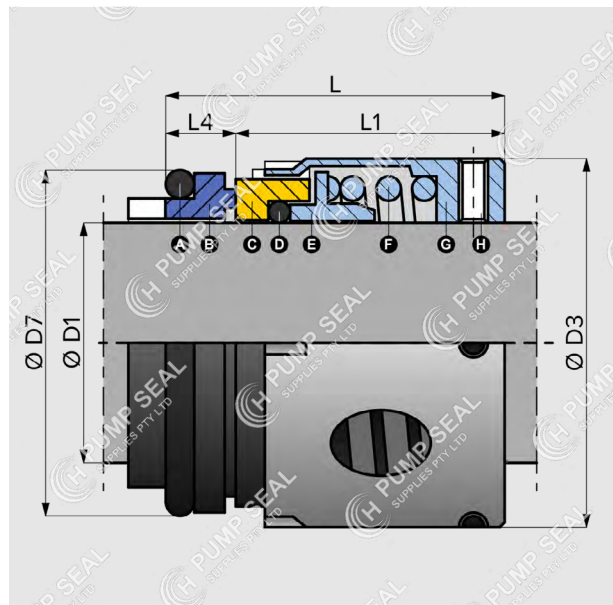


H1104U

'TYPE 104 - UNBALANCED' SPECIFICATION SHEET



- ▶ **Parallel-spring pusher**
- ▶ **Unbalanced**
- ▶ **O-ring mounted**
- ▶ **Bi-directional**
- ▶ **To JB/T 1472 (PRC) Standard**

H1104U is a parallel-spring o-ring mounted unbalanced seal, made to PRC JB/T 1472 professional standards. It is set-screw driven and therefore independent of direction of rotation.

▶ **Operating conditions**

Temperature: -20°C to +200°C
 Pressure: up to 10 bar, 145 psi
 Speed: up to 15m/s, 2950 fpm

▶ **Material Options**

Rotary Head: SiC
 Stationary: SiC
 Elastomer: N, V or EP
 Metal Parts: S.S.

PARTS

- A O-ring
- B Seat face
- C Rotary Face
- D O-ring
- E Drive Sleeve
- F Parallel Spring
- G Rotary Holder
- H Set Screws

EQUIVALENT

Type 104

DIMENSIONS

D1	D3	D7	L4	L1	L
16mm	33.0	33.0	16.0	37.0	53.0
18mm	35.0	36.0	16.0	40.0	56.0
20mm	37.0	40.0	19.0	40.0	59.0
22mm	39.0	42.0	19.0	43.0	62.0
25mm	42.0	45.0	19.0	43.0	62.0
28mm	45.0	48.0	19.0	44.0	63.0
30mm	52.0	50.0	19.0	49.0	68.0
35mm	57.0	55.0	19.0	51.0	70.0
40mm	62.0	60.0	19.0	54.0	73.0
45mm	67.0	65.0	19.0	60.0	79.0
50mm	72.0	70.0	19.0	63.0	82.0
55mm	77.0	75.0	19.0	65.0	84.0
60mm	82.0	80.0	19.0	65.0	84.0
65mm	92.0	90.0	22.0	74.0	96.0
70mm	97.0	97.0	25.0	76.0	101.0
75mm	102.0	102.0	25.0	76.0	101.0
80mm	107.0	107.0	25.0	81.0	106.0
85mm	112.0	112.0	25.0	82.0	107.0
90mm	117.0	117.0	25.0	83.0	108.0
95mm	122.0	122.0	25.0	83.0	108.0
100mm	127.0	127.0	25.0	83.0	108.0
110mm	141.0	142.0	27.0	105.0	132.0
120mm	151.0	152.0	27.0	105.0	132.0