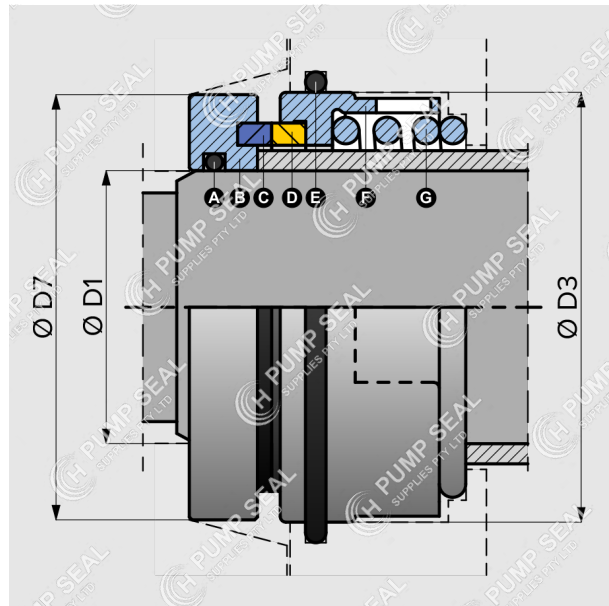


FRYMA

'FRYMAKORUMA MILL SEALS' SPECIFICATION SHEET



► **Suits FrymaKoruma Mills**

► **Single or Double Seal**

Replaces the mechanical shaft seal in many FrymaKoruma Mills, commonly used in the food and pharmaceutical industries.

The double seal option is mounted back-to-back and uses the same spring.

► **Material Options**

Seal Faces: CAB/TC or CAB/SiC

Elastomers: N, V or EP

Metal Parts: Stainless Steel

PARTS

- A Stationary O-ring
- B Stationary Holder
- C Stationary Face
- D Rotary Face
- E O-ring
- F Rotary Collar
- G Spring

PUMP COMPATIBILITY

Suits FrymaKoruma Mills

Performed Disc Mill (ML)

ML 150

ML 180

ML 250

ML 330

Toothed Colloid Mill (MZ)

MZ 80

MZ 100

MZ 110

MZ 130

MZ 150

MZ 190

MZ 250

Corundum Stone Mill (MK)

MK 60

MK 95

MK 160

MK 180

MK 250

MK 300

MK 320