

# PORTED SEATS

## 'REPLACEMENT FRISTAM PORTED SEATS' SPECIFICATION SHEET

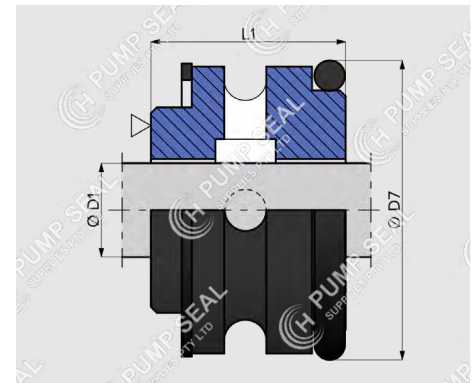
Single & double seats with ported flush holes fitted directly to the pump to replace OEM seals



- ▶ OEM, gasket-mounted
- ▶ For single & double seals
- ▶ Fitted direct to pump housing



N-T01F--xxC-0XX0-L  
F-T01FU-ExC-0XX0-L  
Type XX05/1 / 2



D1	D7	L1
22mm*	45.0	30.0
22mm	50.0	22.5
30mm	60.0	26.0
35mm	64.0	30.0

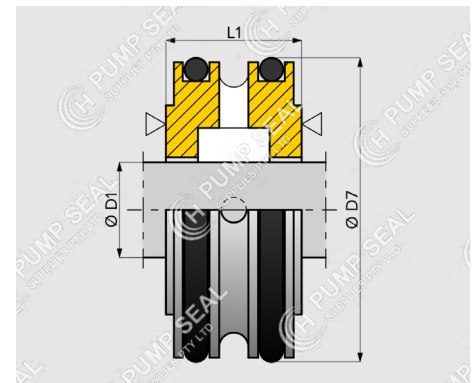
\*for single seals only



- ▶ Alternative, double o-ring
- ▶ For single & double seals
- ▶ Fitted direct to pump housing



N-T01F--xxC-0XX0-G / B  
F-T01FU-ExC-0XX0-G / B  
Type XX06/8



D1	D7	L1
22mm*	45.0	20.0
22mm	50.0	20.0
30mm	60.0	26.0
35mm	70.0	26.0

\*for single seals only