

HOUSING SEATS

'REPLACEMENT FRISTAM HOUSING SEATS' SPECIFICATION SHEET

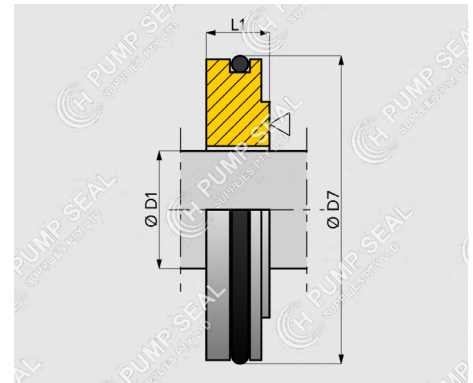
Seats to be fitted into a separate **housing** or "**collet**", as part of an arrangement.
Designed to allow the easy replacement of wearing parts



- ▶ Fitted to S.S. housings / collets
- ▶ For single & double seals
- ▶ Centre o-ring style



N-T01F--xxQ-0XX0
F-T01FU--ExQ-0XX0
Type XX05/6



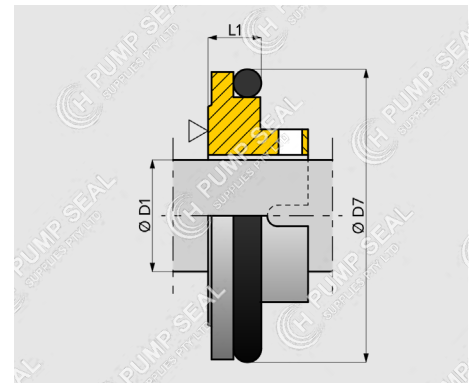
D1	D7	L1
22mm	41.2	7.5
30mm	48.0	7.6
35mm	55.5	8.6



- ▶ Fitted to S.S. housings / collets
- ▶ For single & double seals
- ▶ Slotted / pinned stationary



N-T01F--xxS-0XX0
F-T01FU--ExS-0XX0
Type XX06/61



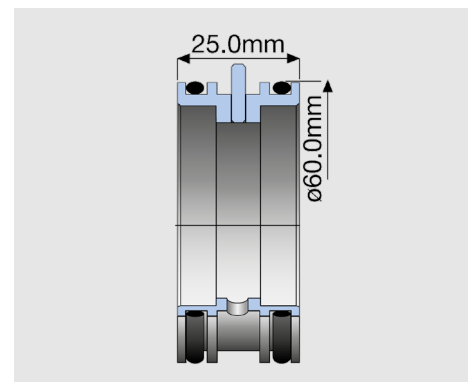
D1	D7	L1
22mm	41.2	7.5
30mm	48.0	7.6
35mm	55.5	8.6



- ▶ S.S. housing / centre collet
- ▶ Accepts in-/outboard seats



N-T01F--YC-0300-A
F-T01FU---xC-0300-A
Type 3001/1



D1	D7	L1
30mm	60.0	25.0