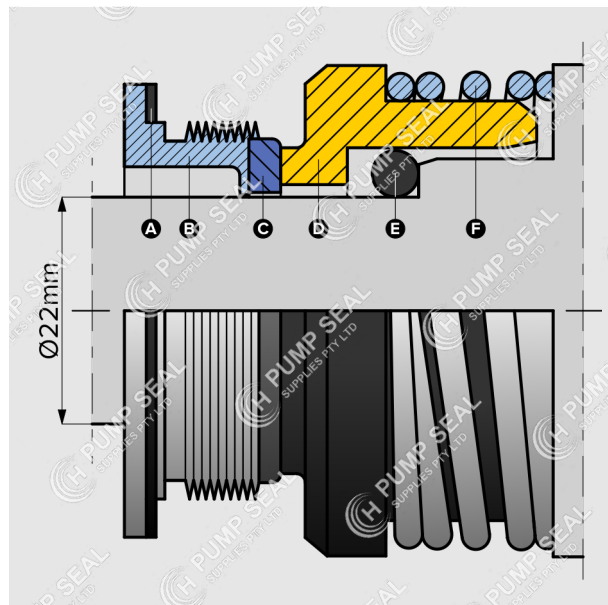


## FM

'H/ALF/190208 & H/ALF/190200'  
SPECIFICATION SHEET

► **Single shaft seal replacement**

► **Screw-fit stationary**

Replaces the single shaft seal in Alfa Laval's FM low-capacity acid-resistant steel centrifugal pumps. Stationary is screw-fitted

► **Material options**

Rotary Face: CAB solid  
SiC solid  
Stationary Face: SiC inserted  
S.S solid  
Elastomer: N, EP, FPM or PTFE  
Metal Parts: Stainless Steel

**PARTS**

- A** Flat Gasket  
**B** Screw-in Stat. Housing  
**C** Stationary Insert  
**D** Rotary  
**E** O-ring  
**F** Spring

**EQUIVALENT**

Type 91B  
P07U-0220-B

**PUMP COMPATIBILITY & SHAFT SIZE**

Replaces the single seal in FM pumps:

FM-OS, FM-O  
FM-1A, FM-2A, FM-3A, FM-4A