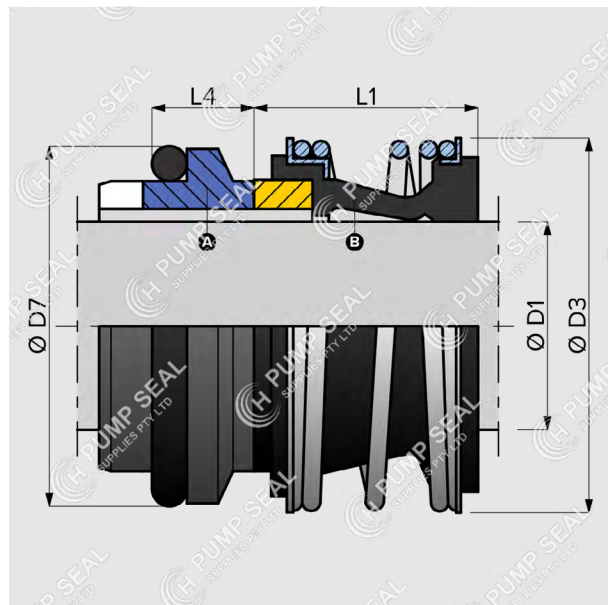


## ALC-SS

'ALC - SINGLE SEAL'

## SPECIFICATION SHEET



► **Suits ALC non-flushed seal**

Uses a modified HG1 seal and pinned o-ring mounted stationary

► **Material options**

Rotary Face:

CAB

Stationary Face:

SIC

Elastomer:

EPDM

**PARTS**

**A** Pinned Stationary

**B** Modified HG1

**EQUIVALENT**

Type 19C

B09DU

**DIMENSIONS**

	<b>D1</b>	<b>D7</b>	<b>D3</b>	<b>L1</b>	<b>L4</b>
<b>40mm</b>		58.0	62.0	30.0	14.0
<b>53mm</b>		73.0	78.0	33.0	15.0
<b>60mm</b>		80.0	88.0	38.0	15.0

**PUMP COMPATIBILITY & SHAFT SIZE**

Replaces the single seal in non-flushed ALC pumps:

ALC-1, ALC-2, ALC-3